

# KUDOS

SHOWERING SOLUTIONS



COLLECTION 2024

---

# KUDOS

SHOWERING SOLUTIONS





## KUDOS COLLECTION

# Create the perfect solution for your bathroom

For 25 years Kudos have designed and manufactured high quality showering products, our 2024 collection brings together innovative design, functionality and value, helping you to create the perfect solution for your bathroom. From doors and enclosures through to shower trays, wet-room systems and over-bath screens, whichever Kudos product you choose you can be sure of getting a great product from a great company.

## The difference is in the detail

Every Kudos product has been hand built by craftsmen who have an enduring passion for design and an abiding commitment to quality. All covered by the Kudos lifetime guarantee\* our extensive product range should provide the ideal solution for your needs, if not, then consider our bespoke shower solution which can be tailored to your exact requirements.



\*See website for details.

# KUDOS

SHOWERING SOLUTIONS





## KUDOS COLLECTION

### Contents

divera Enclosures & Walk-ins	7-23
ultimate <b>8</b> Walk-ins	25-33
ultimate <b>10</b> Walk-ins & Bathscreens	35-47
inspire Bathscreens	49-61
shower tray Collection	63-73
aqua <b>4</b> ma Wet-Room Systems	75-81
bespoke Solutions	83-84

Chrome straight sliding corner enclosure



Chrome quadrant enclosure



# divera

## Enclosures & Walk-ins

Elegant and sophisticated, this modular range of enclosures includes sliding, corner entry, bi-fold, hinged and quadrant options alongside wet room panels, which, when used in conjunction with Divera side panels and accessories, can be used to create a wide variety of configurations.

Designed with your comfort in mind, this 6mm range of enclosures is available in either chrome or matt black finishes, is treated with a protective coating for easy cleaning and features slim, ergonomic, handles. All backed by the Kudos Lifetime Guarantee.

### Features & Benefits

- + 2000mm high
- + 6mm toughened safety glass
- + Protective coating for easy cleaning
- + Modular shower enclosures
- + Available in chrome or matt black finishes
- + Lifetime guarantee



Matt black bifold corner enclosure

# divera

## Pivot doors

Suitable for all bathroom spaces, the stylish Divera pivot door is available in 5 door sizes and can be used for either corner, recess or 3 sided installations.

### Features & Benefits

- + 2000mm high
- + 6mm toughened safety glass
- + Protective coating for easy cleaning
- + In/out pivot action
- + Suitable for corner or recess
- + Modular shower enclosure
- + Available in chrome or matt black finishes
- + Lifetime guarantee

### Door Packs (including fixed panel)

Product Description	Chrome Product Code	Matt Black Product Code	Height (mm)	Door Width (mm)	Access (mm)
Pivot Door 700mm	K22T10705007-0001	K22T10700607-0001	2000	700	530
Pivot Door 760mm	K22T10765007-0001	K22T10760607-0001	2000	760	590
Pivot Door 800mm	K22T10805007-0001	K22T10800607-0001	2000	800	630
Pivot Door 900mm	K22T10905007-0001	K22T10900607-0001	2000	900	730
Pivot Door 1000mm	K22T11005007-0001	K22T11000607-0001	2000	1000	830

### Installation Dimensions & Adjustments

Width	Installation on a shower tray		
	Recess (-40mm, +20mm)	Corner (door + side panel) (-20mm; +10mm)	3 sided (door + 2 x Side panel) (-20mm; +5mm)
700mm	660-720	680-710	680-705
760mm	720-780	740-770	740-765
800mm	760-820	780-810	780-805
900mm	860-920	880-910	880-905
1000mm	960-1020	980-1010	980-1005

See page 20 for all side panels, inline panels and accessories that can be used with all Divera door types



Ergonomic handle





Chrome pivot corner enclosure



Matt black pivot recess enclosure

# divera

## Pivot doors with inline panel

### Installation Dimensions & Adjustments (door with fixed inline panel)

Width	Installation on a shower tray		
	Recess (-40mm, +20mm)	Corner (door + side panel) (-20mm; +10mm)	3 sided (door + 2 x Side panel) (-20mm; +5mm)
900mm	860-920	880-910	880-905
1000mm	960-1020	980-1010	980-1005
1100mm	1060-1120	1080-1110	-
1200mm	1160-1220	1180-1210	1180-1205
1300mm	1260-1320	1280-1310	-
1400mm	1360-1420	1380-1410	1380-1405
1500mm	1460-1520	1480-1510	-
1600mm	1560-1620	1580-1610	-

Note: By adding a fixed inline panel or panels you can create the perfect enclosure for the space that you have available

### Pivot Door With Fixed Inline Panel Configurations:

Width	Height (mm)	Door Width (mm)	Fixed Panel Width (mm)	Access (mm)
900mm	2000	700	200	530
1000mm	2000	700	300	530
	2000	800	200	630
1100mm	2000	700	400	530
	2000	800	300	630
1200mm	2000	900	200	730
	2000	700	500	530
	2000	800	400	630
	2000	900	300	730
1300mm	2000	1000	200	830
	2000	700	600	530
	2000	800	500	630
	2000	900	400	730
1400mm	2000	1000	300	830
	2000	800	600	630
	2000	900	500	730
1500mm	2000	1000	400	830
	2000	900	600	730
1600mm	2000	1000	500	830
	2000	1000	600	830



Discreet threshold profile



Side panel configuration

See page **20** for all side panels, inline panels and accessories that can be used with all Divera door types



Matt black pivot recess enclosure with inline panels



Chrome pivot corner enclosure with side panel

# divera

## Bifold doors

This elegant space saving shower enclosure features an inward folding door which is perfect for instances where external space is limited.

### Features & Benefits

- + 2000mm high
- + 6mm toughened safety glass
- + Protective coating for easy cleaning
- + Suitable for corner or recess
- + Modular shower enclosure
- + Available in chrome or matt black finishes
- + Lifetime guarantee

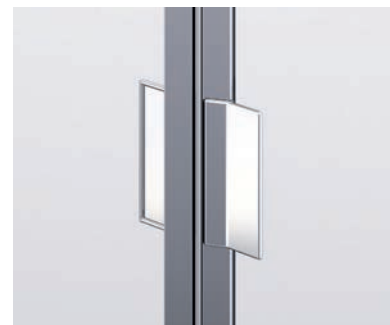
### Door Packs (including fixed panel)

Product Description	Chrome Product Code	Matt Black Product Code	Height (mm)	Door Width (mm)	Access (mm)
Bifold Door 760mm	K22K0765007-0001	K22K0760607-0001	2000	760	510
Bifold Door 800mm	K22K0805007-0001	K22K0800607-0001	2000	800	550
Bifold Door 900mm	K22K0905007-0001	K22K0900607-0001	2000	900	650
Bifold Door 1000mm	K22K1005007-0001	K22K1000607-0001	2000	1000	750

### Installation Dimensions & Adjustments

Width	Installation on a shower tray		
	Recess (-40mm, +20mm)	Corner (door + side panel) (-20mm; +10mm)	3 sided (door + 2 x Side panel) (-20mm; +5mm)
760mm	720-780	740-770	740-765
800mm	760-820	780-810	780-805
900mm	860-920	880-910	880-905
1000mm	960-1020	980-110	980-1005

See page 20 for all side panels, inline panels and accessories that can be used with all Divera door types



Stylish ergonomic handle



Matt black bifold recess enclosure



Chrome bifold corner enclosure

# divera

## Straight sliding doors

Available in 3 door sizes and two colour finishes, the Divera straight sliding door features a stylish ergonomic handle and is easy to clean.

### Features & Benefits

- + 2000mm high
- + 6mm toughened safety glass
- + Protective coating for easy cleaning
- + Quick release sliding door
- + Suitable for corner or recess
- + Corner entrance option
- + Available in chrome or matt black finishes
- + Lifetime guarantee

### Door Packs (including fixed panel)

Product Description	Chrome Product Code	Matt Black Product Code	Height (mm)	Door Width (mm)	Fixed Panel Width (mm)	Access (mm)
Straight Sliding Door 1000mm	K22S2B1005007-0001	K22S2B1000607-0001	2000	1000	469	384
Straight Sliding Door 1200mm	K22S2B1205007-0001	K22S2B1200607-0001	2000	1200	569	484
Straight Sliding Door 1400mm	K22S2B1405007-0001	K22S2B1400607-0001	2000	1400	669	584

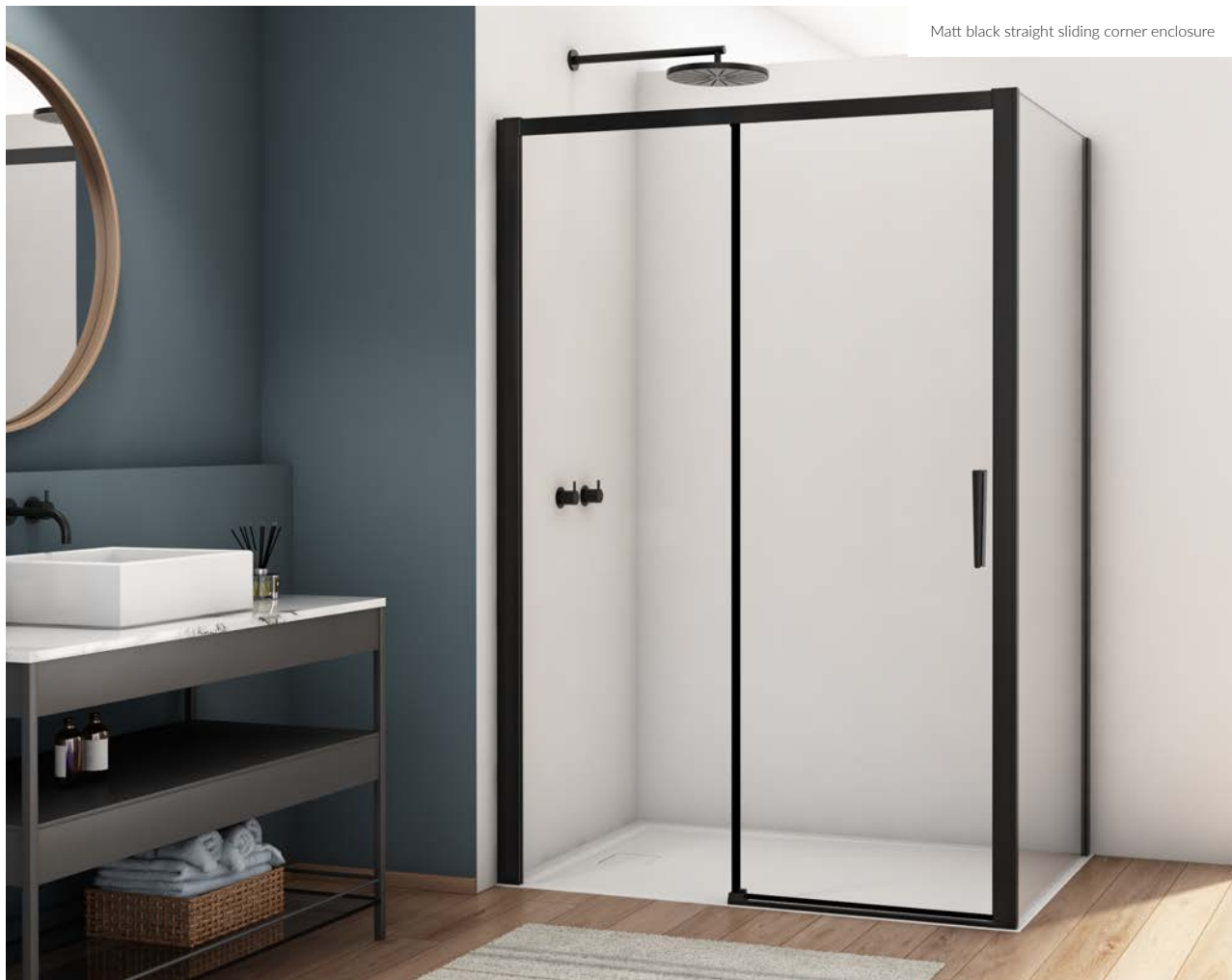
### Installation Dimensions & Adjustments

Width	Installation on a shower tray		
	Recess (-40mm, +20mm)	Corner (door + side panel) (-20mm; +10mm)	3 sided (door + 2 x Side panel) (-20mm; +5mm)
1000mm	960-1020	980-1010	980-1005
1200mm	1160-1220	1180-1210	1180-1205
1400mm	1360-1420	1380-1410	1380-1405

See page 20 for all side panels, inline panels and accessories that can be used with all Divera door types



Wall post



Matt black straight sliding corner enclosure



Chrome straight sliding recess enclosure

# divera

## Sliding corner entry doors

Transform a corner in your bathroom with the Divera sliding corner entry enclosure. Available in two colour finishes, this enclosure features removable sliding doors for easy cleaning

### Features & Benefits

- + 2000mm high
- + 6mm toughened safety glass
- + Protective coating for easy cleaning
- + Available in chrome or matt black finishes
- + Lifetime guarantee

### Door Packs (including fixed panel)

Product Description	Chrome Product Code	Matt Black Product Code	Height (mm)	Door Width (mm)	Fixed Panel Width (mm)	Access (mm)
Sliding Corner Entry Door 700 x 700mm	K22SE2B0705007-0001	K22SE2B0700607-0001	2000	700	322	348
Sliding Corner Entry Door 800 x 800mm	K22SE2B0805007-0001	K22SE2B0800607-0001	2000	800	372	418
Sliding Corner Entry Door 900 x 900mm	K22SE2B0905007-0001	K22SE2B0900607-0001	2000	900	422	489
Sliding Corner Entry Door 1000 x 1000mm	K22SE2B1005007-0001	K22SE2B1000607-0001	2000	1000	472	560

### Installation Dimensions & Adjustments

Width	Installation on a shower tray
	Corner (-20mm; +10mm)
700mm	680-710
800mm	780-810
900mm	880-910
1000mm	980-1010

See page 20 for all side panels, inline panels and accessories that can be used with all Divera door types



Ergonomic handle



Elegant corner joints





Matt black sliding corner entry enclosure



Chrome sliding corner entry enclosure

# divera

## Quadrant doors

The stylish Divera quadrant shower enclosure features double sliding doors for easy access

### Features & Benefits

- + 2000mm high
- + 6mm toughened safety glass
- + Protective coating for easy cleaning
- + Quick release sliding door
- + Modular shower enclosure
- + Available in chrome or matt black finishes
- + Lifetime guarantee

### Door Packs (including fixed panel)\*

Product Description	Chrome Product Code	Matt Black Product Code	Height (mm)	Door Width (mm)	Fixed Panel Width (mm)	Access (mm)	Radius (mm)
Quadrant Sliding Double Door 800mm	K22SRB550805007-0001	K22SRB550800607-0001	2000	800	248	416	550
Quadrant Sliding Double Door 900mm	K22SRB550905007-0001	K22SRB550900607-0001	2000	900	348	551	550
Quadrant Sliding Double Door 1000mm	K22SRB551005007-0001	K22SRB551000607-0001	2000	1000	448	551	550

### Installation Dimensions & Adjustments

Width	Installation on a shower tray
	Adjustment (-20mm; +10mm)
800mm	780-810
900mm	880-910
1000mm	980-1010

See page 20 for all side panels, inline panels and accessories that can be used with all Divera door types

**\*Off-set enclosures can be created with the addition of the inline panel on page 20**



Ergonomic handle



Stabilising bar



Matt black quadrant enclosure



Chrome quadrant enclosure

# divera

## Side panels, inline panels & accessories

Compatible with all door types in the Divera range, the accessories and side panels can be used throughout the range to create a wide variety of configurations.

### Features & Benefits

- + 2000mm high
- + 6mm toughened safety glass throughout
- + Protective coating for easy cleaning
- + Crystal clear seals
- + 20mm adjustment on each wall post
- + Available in chrome or matt black finishes
- + Lifetime guarantee

### Side panels

Product Description	Chrome Product Code	Matt Black Product Code
700mm Side Panel	K22F10705007-0001	K22F10700607-0001
760mm Side Panel	K22F10765007-0001	K22F10760607-0001
800mm Side Panel	K22F10805007-0001	K22F10800607-0001
900mm Side Panel	K22F10905007-0001	K22F10900607-0001
1000mm Side Panel	K22F11005007-0001	K22F11000607-0001
1200mm Side Panel	K22F11205007-0001	K22F11200607-0001
1400mm Side Panel	K22F11405007-0001	K22F11400607-0001



Side panel stabiliser bar (included in pack)

### Inline panels

Product Description	Chrome Product Code	Matt Black Product Code
200mm Inline Panel	K22FF0205007-0001	K22FF0200607-0001
300mm Inline Panel	K22FF0305007-0001	K22FF0300607-0001
400mm Inline Panel	K22FF0405007-0001	K22FF0400607-0001
500mm Inline Panel	K22FF0505007-0001	K22FF0500607-0001
600mm Inline Panel	K22FF0605007-0001	K22FF0600607-0001

### Accessories

Product Description	Chrome Product Code	Matt Black Product Code
Extension post 25mm	AK221.50.2000-0001	AK221.50.0607-0001
Extension post for bifold doors 25mm	AK222.50.2000-0001	AK222.50.0607-0001
*Threshold Strip (1000mm)	K22KB.10	K22KB.06

\*For use with straight 1000mm pivot door to allow for wheelchair access



Divera side panel



Divera inline panel

# divera

## Walk-ins

The stylish and minimalist the Divera walk-in range will enhance any bathroom design. The walk-in fixing kit features a full length profile covering the edge and ensuring excellent stability.

### Features & Benefits

- + 2000mm high
- + 6mm toughened safety glass
- + Protective coating for easy cleaning
- + 7 panel sizes
- + Modular shower enclosure
- + Available in chrome or matt black finishes
- + Lifetime guarantee
- + Fixed or foldaway deflector

### Walk In Panels

Product Description	Chrome Product Code	Matt Black Product Code
700mm Side Panel	K22F10705007-0001	K22F10700607-0001
760mm Side Panel	K22F10765007-0001	K22F10760607-0001
800mm Side Panel	K22F10805007-0001	K22F10800607-0001
900mm Side Panel	K22F10905007-0001	K22F10900607-0001
1000mm Side Panel	K22F11005007-0001	K22F11000607-0001
1200mm Side Panel	K22F11205007-0001	K22F11200607-0001
1400mm Side Panel	K22F11405007-0001	K22F11400607-0001

### Accessories

Product Description	Chrome Product Code	Matt Black Product Code
Walk-in Fixing Kit	K22BTK1H50.2000	K22BTK1H06.2000
Telescopic Support Bar For Walk-in	K22BTK1V50.2000-0001	K22BTK1V06.2000-0001
Fixed Deflector Panel 457mm	K22BTK204575007-0001	K22BTK204570607-0001
Pivot Deflector Panel 400mm	K22BTK304005007-0001	K22BTK304000607-0001



Walk In with a telescopic support bar and foldaway deflector



Chrome walk-in enclosure



Chrome walk-in with fixed deflector panel

ultimate walk-through: single panel, matt black hinged deflector panel x 2,  
matt black front panel fixing kit x 2 and aqua4ma evolution centre waste deck



ultimate curved corner with flat side panel, wall post, L/H hinged deflector  
panel and concept bow fronted tray





# ultimate<sup>8</sup>

## Walk-ins

### The ultimate in versatility.

Stylishly minimalist and modern, yet classically elegant, Kudos ultimate walk-in enclosures complement and enhance every style of bathroom design. So give your home the kudos it deserves and step into showering luxury with a Kudos ultimate walk-in enclosure.

### Features & Benefits

- + 11 flat panel sizes in 8mm
- + 3 curved panel sizes in 8mm
- + 1950mm high (exc. fittings) 1985mm high (inc. fittings)
- + Toughened safety glass with Lifeshield™ easy clean coating
- + Choice of fixings to suit all situations
- + 3 deflector panel options
- + Available in a number of colour finishes
- + Suitable for fitting to tiled floors or shower trays

ultimate recess: 1 panel, 1 x matt black wall post, 1 x matt black front panel fixing kit,  
1 x aqua4ma evolution centre waste deck



# ultimate<sup>8</sup>

## Flat panel walk-in enclosures

11 flat panel sizes in 8mm toughened safety glass with Lifeshield™ easy clean coating, enable you to create virtually any configuration to suit your style and imagination. Kudos ultimate flat panel walk-in enclosures can be fitted to tiled floors or most standard shower trays, however, if fitting to a shower tray, for complete peace of mind we recommend using a Kstone or the stunning connect2.

### Features & Benefits:

- + Lifeshield™ easy clean glass coating
- + 11 flat panel sizes in 8mm
- + 1950mm high (exc. fittings) 1985mm high (inc. fittings)
- + Glass to floor gasket to minimise silicone
- + Easy fit dry-seal wall post, requiring no silicone
- + Available in a number of colour finishes



L/H Fold away deflector panel in 'closed' position



L/H Fold away deflector panel in 'open' position

ultimate recess 1x ultimate panel, 1x matt black wall post, 1x matt black stabilising arm and aqua4ma Evolution end waste deck

ultimate corner: 2 single panels, 1 wall post, 1 front panel fixing kit,  
one fold away deflector panel on a connect2 tray.



# ultimate<sup>8</sup>

## Space efficient curved panel enclosures

These unique elegantly designed Bow Fronted walk-in enclosures are the perfect solution for smaller bathrooms or where wall space is restricted.

Combining 8mm curved toughened glass panels with Kudos Concept Bow Fronted shower trays, ultimate curved panel walk-in enclosures make an ideal bath replacement especially where a door or window position restricts the available depth of the showering area. Available in three sizes, to suit 1200mm, 1500mm, 1700mm curved trays measuring just 700mm at each end providing the bather with a generous showering area for comfort and enjoyment.

### Features & Benefits:

- + Lifeshield™ easy clean glass coating
- + 3 Panel sizes in 8mm (700mm, 1000mm, 1200mm) for 1200mm, 1500mm and 1700mm bow fronted trays
- + 1950mm high exc. fittings. 1985mm high (inc. fittings)
- + Glass to floor gasket to minimise silicone.
- + Easy fit dry-seal wall post, requiring no silicone
- + Available in a number of colour finishes

ultimate curved corner with flat side panel, wall post, L/H hinged deflector panel and concept bow fronted tray



ultimate curved corner with flat side panel, wall post, L/H hinged deflector panel and concept bow fronted tray

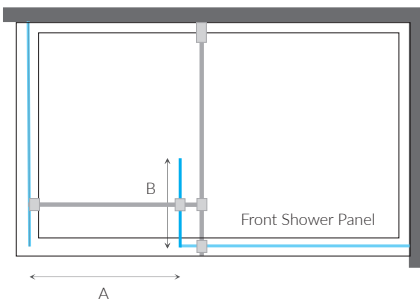


# Ultimate deflector panels, fixing kits and colour finishes.

## Deflector Panels

Designed to contain the majority of over-spray and splashing within the showering area, Kudos ultimate deflector panels are available in three styles, each option is able to be retro-fitted and can be added at a later date if required.

Enjoy the pleasure and appearance of a walk-in shower even where space is at a premium. With the ability to fit a deflector panel it is now possible to create a functional and stunning enclosure even as small as 1200mm\*.

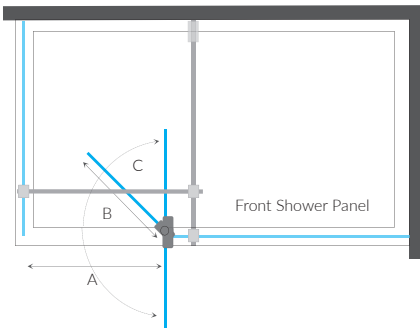


A = Rec min access 500mm  
B = 265mm

### Fixed Deflector Panel:

Supplied with fixings to connect to standard fixing kit recess or corner. This 255mm fixed deflector panel provides a 90° angled barrier to prevent splashing outside of the showering area.

**Not suitable for use with angled or ceiling fixing kit. Not for use with curved panels**

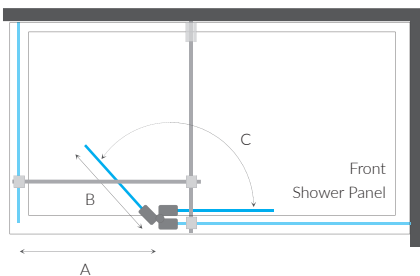


A = Rec min access 500mm  
B = 300mm or 400mm  
C = 180° rotation for easy access

### Hinged Deflector Panel:

Available in 300 and 400mm widths in both 8 & 10mm glass thickness, the hinged deflector rotates through 180° for easy access. Featuring heavy duty hinges with crystal clear seals for minimalist appearance. Available in both 8 & 10mm glass thickness and featuring heavy duty hinges and crystal clear vertical seal.

**Suitable for use with flat and curved panel enclosures and all ultimate fixing kits**



A = Rec min access 500mm  
B = 300mm  
C = 135° rotation stops at optimum position for maximum overspray protection

### Fold-Away Hinged Deflector Panel:

Designed to fit neatly behind the front panel when not in use, the 300mm Fold-Away deflector panel stops at a 45° angle to the front panel when in use to provide the optimum protection from over-spray. Available in both 8 & 10mm glass thickness.

**Suitable for use with flat panel enclosures and all ultimate fixing kits**

**Note: All ultimate Hinged Deflector Panels are handed please suffix codes with LH or RH. All illustrations show Right Hand option.**

**\*Please note that whilst deflector panels will contain a significant amount of overspray they are not intended to be watertight so some water may leave the showering area (particularly with smaller configurations).**

## Fixing Kits

To secure your shower panel we offer a number of fixing options. For maximum stability we recommend the Standard fixing kit, available for both front panel and side panels. However, if it is not possible to use this style of fixing, we also offer an angled fixing kit in 2 sizes or a glass to ceiling support which can be cut to the desired length.



### Standard Fixing Kits

Shown: Front panel fixing kit with side panel fixing kit. Each stabilising bar is 1000mm long and can be cut to suit. A 1500mm front panel kit is also available.



### Angled Fixing Kit

Available in 300mm or 500mm options.



### Ceiling Fixing Kit

Ceiling fixing bar is 600mm long and can be cut to suit ceiling height.

See page 32 for suitability of fixings based on the configuration of your walk-in enclosure.

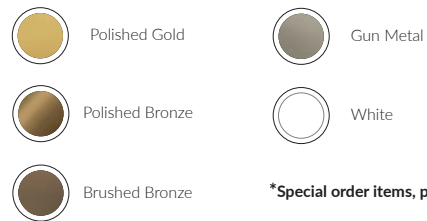
## Colour Finishes

Kudos ultimate fittings are available in Chrome/Silver, Matt Black, Brushed Nickel and Brushed Brass. In addition Polished Gold, Polished Bronze, Brushed Bronze, Gun Metal and White are available to special order.

### Standard Colour Finishes



### Special Order Colour Finishes\*



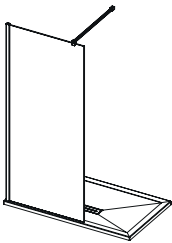
\*Special order items, please allow 8 weeks

ultimate 10mm over bath panels also available see page 68



# Create the walk-in that is perfect for your bathroom.

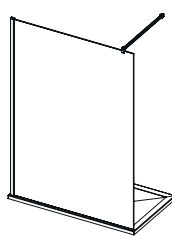
## Flat Panel Configurations



**Recessed**

- 1 x Glass Panel
- 1 x Wall Post
- 1 x Front Panel Fixing Kit\*

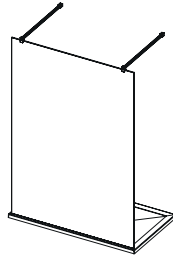
\*Standard, Ceiling or Angled



**Open Ended**

- 1 x Glass Panel
- 1 x Wall Post
- 1 x Front Panel Fixing Kit\*

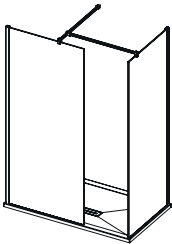
\*Standard, Ceiling or Angled



**Walk Through**

- 1 x Glass Panel
- 2 x Front Panel Fixing Kits\*

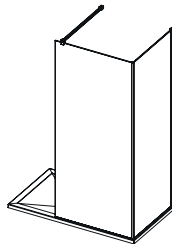
\*Standard



**Corner**

- 1 x Glass Panel (Front)
- 1 x Glass Panel (Side)
- 2 x Wall Posts
- 1 x Front Panel Fixing Kit\*
- 1 x Side Panel Fixing Kit\*

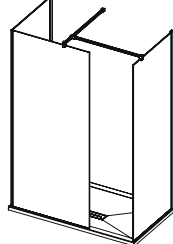
\*Standard, Ceiling or Angled



**Corner (glass to glass)**

- 1 x Glass Panel (Front)
- 1 x Glass Panel (Side)
- 1 x Wall Post
- 1 x Front Panel Fixing Kit\*
- 1 x Corner Seal

\*Standard, Ceiling or Angled

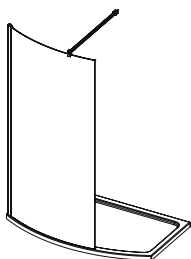


**Three Sided**

- 1 x Glass Panel (Front)
- 2 x Glass Panels (Side)
- 2 x Wall Posts
- 1 x Front Panel Fixing Kit\*
- 1 x Side Panel Fixing Kit\*
- 1 x Corner Seal

\*Standard, Ceiling or Angled

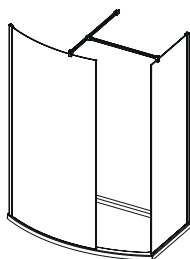
## Curved Panel Configurations



**Recessed**

- 1 x Curved Glass Panel
- 1 x Wall Post
- 1 x Standard Fixing Kit\*

\*Standard, Ceiling or Angled



**† Corner**

- 1 x Curved Glass Panel
- 2 x Wall Posts
- 1 x Flat Glass Panel
- 1 x Standard Front Panel Fixing Kit\*\*

\*Standard, Ceiling or Angled

† For corner enclosures on a bowed front tray, use a standard 700mm flat panel for the side panel.

## 8mm Flat Panels

### Codes & Dimensions

Panel Sizes*	Product Code 8mm Glass
400mm Glass Panel	5WP400
500mm Glass Panel	5WP500
600mm Glass Panel	5WP600
700mm Glass Panel	5WP700
760mm Glass Panel	5WP760
800mm Glass Panel	5WP800
900mm Glass Panel	5WP900
1000mm Glass Panel	5WP1000
1100mm Glass Panel	5WP1100
1200mm Glass Panel	5WP1200
1400mm Glass Panel	5WP1400
Glass to Glass Corner Seal	5WPCS

\*Sizes shown are nominal. All panels are undersized by 45mm to allow for tiling when fitting to shower trays. When choosing your panel size we recommend allowing access of approx. 500mm.

Ultimate flat panel walk-in enclosures can be fitted to tiled floors or most standard shower trays, however if fitting to a shower tray for complete peace of mind we recommend using a Kudos Kstone or the stunning connect2.

## Curved Panels

### Codes & Dimensions

Panel Sizes*	Product Code
700mm Curved Panel (for 1200mm tray)	5WPCV700
1000mm Curved Panel (for 1500mm tray)	5WPCV1000
1200mm Curved Panel (for 1700mm tray)	5WPCV1200

Add 700mm flat panel to create a corner enclosure  
Shower Panels for Space Efficient Enclosures (8mm only) \*\*

\*Sizes shown are nominal. All panels are undersized by 45mm to allow for tiling when fitting to shower trays. When choosing your panel size we recommend allowing access of approx. 500mm.

\*\*Designed to fit a dedicated Bowed Fronted concept tray. Ultimate curved panels can be fitted direct to a tiled floor, however unless the wet floor area is shaped to match the curve of the panel drainage may be impaired

Fittings required for the SE enclosures, with the exception of the wall post, are the same as those shown for the equivalent flat panel enclosures.



## Fixings & Deflector Panels

Description	Silver/Chrome *Product Code	Matt Black Product Code	Brushed Brass Product Code
Wall Post for Flat Glass Panels	10WPK	10WPKMBK	10WPKBRG
Wall Post for SE Curved Glass Panels	10WPKCV	10WPKCVMBK	10WPKCVBRG
Glass to Glass Corner Seal	5WPCS	-	-
Front Panel Fixing Kit Standard (1000mm)	10WPFPFK	10WPFPFKMBK	10WPFPFKBRG
Front Panel Fixing Kit (1500mm)	10WPFPFK150	10WPFPFK150MBK	10WPFPFK150BRG
Side Panel Fixing Kit	10WPSPFK	10WPSPFKMBK	10WPSPFKBRG
Glass to Ceiling Fixing Kit	10WPGC	10WPGCMBK	10WPGCBRG
Angled Fixing Kit (300mm)	10WPGW30	10WPGW30MBK	10WPGW30BRG
**Angled Fixing Kit (500mm)	10WPGW50	10WPGW50MBK	-
**Fixed Deflector Panel 8mm Glass	5WPDEFP	5WPDEFPMBK	-
**Hinged Deflector Panel (300mm) 8mm Glass †	5WPHINDP	5WPHINDPMBK	-
**Hinged Deflector Panel (400mm) 8mm Glass †	5WPHINDP400	5WPHINDP400MBK	-
Fold Away Deflector Panel (300mm) 8mm Glass †	5WPFADP	5WPFADPMBK	5WPFADPBRG

\* Please add the following codes to your product code when ordering a colour option:

Brushed Nickel (**BRN**), Polished Gold (**PG**), Polished Bronze (**PB**), Brushed Bronze (**BRB**), Gun Metal (**GM**) and White (**WH**).

All are special order items, please allow 8 weeks

\*\* Only available in Chrome and Matt Black

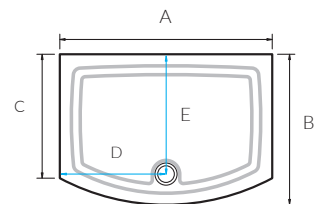
† Hinged and Fold-away deflector panels are handed please suffix codes with LH or RH

## Shower Trays for Curved Panel Enclosures

### Shower Tray Codes & Dimensions

Tray Sizes	Standard High Gloss Product Code	SR (Slip Resistant) Product Code	Dimensions (mm)				
			A	B	C	D	E
1200mm x 700mm	DB120W	DB120WSR	1200	850	700	600	677
1500mm x 700mm	DB150W	DB150WSR	1500	888	700	750	714
1700mm x 700mm	DB170W	DB170WSR	1685	910	700	843	737

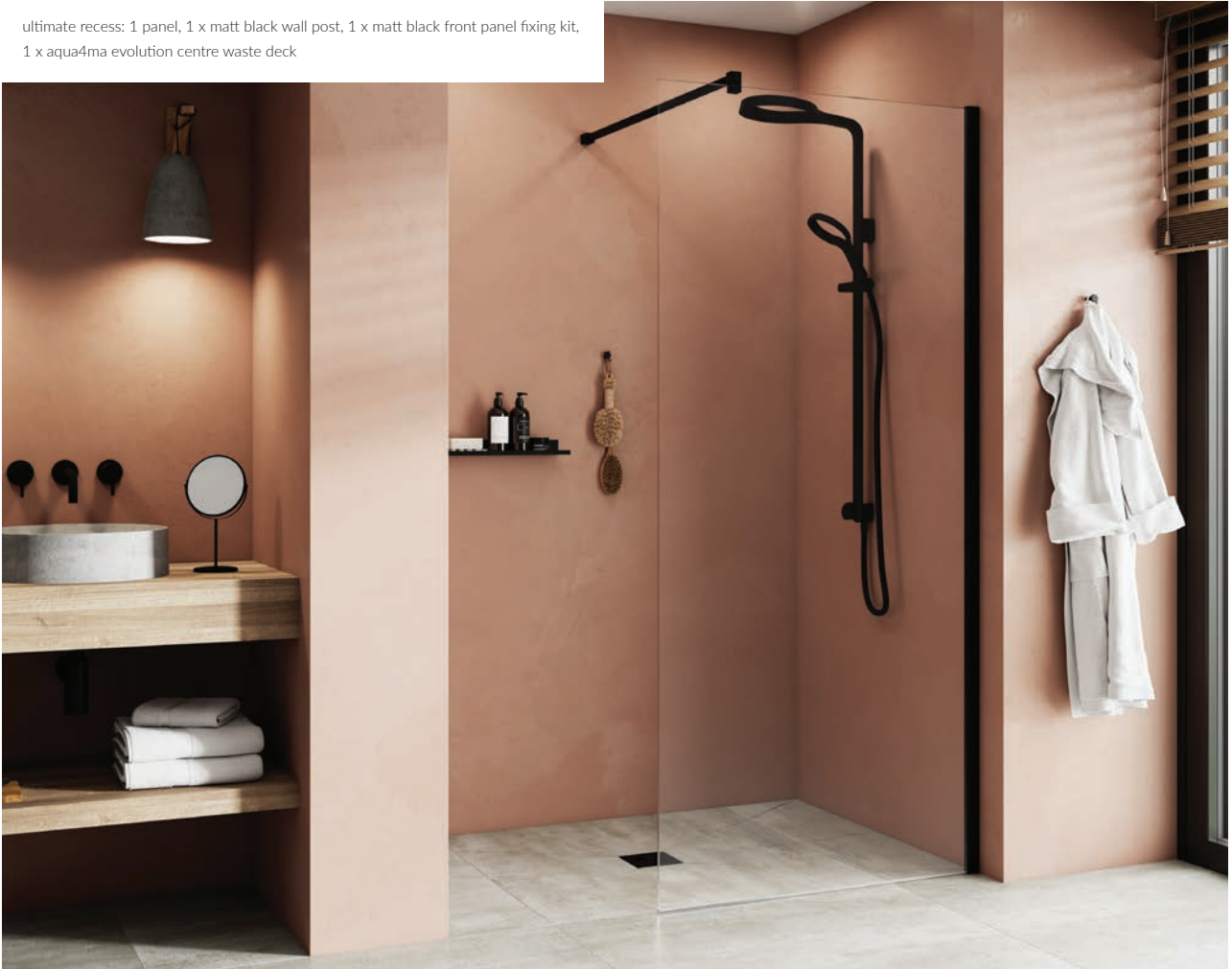
### Overhead Diagrams



### Kudos Concept Bow Fronted shower trays

Manufactured from an Acrylic capped ABS skin with a structured resin bonded stone filler. All sizes are available in a high gloss finish or with the new Kudos SR slip resistant matt finish.

ultimate recess: 1 panel, 1 x matt black wall post, 1 x matt black front panel fixing kit,  
1 x aqua4ma evolution centre waste deck



Ultimate smoked glass with satin strip, matt black wall post and front panel fixing kit



# ultimate<sup>10</sup>

## Walk-ins

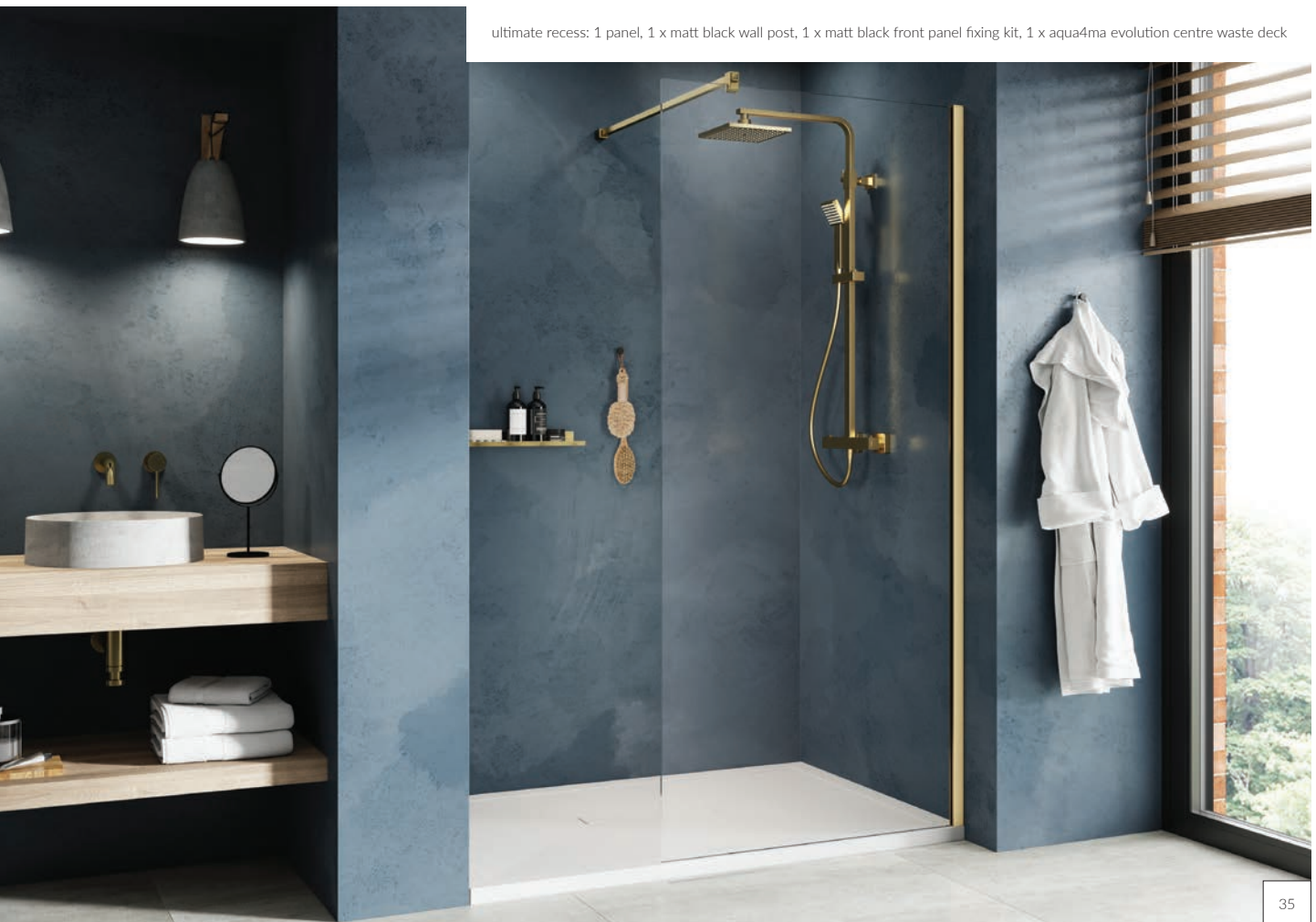
Creating a beautiful walk-in enclosure could not be easier, with so many panel sizes and fixing options, you can create virtually any style, shape or size. Available as standard in a Silver/Chrome or Matt Black finish as well as a range of special finishes. Let your imagination run wild and create the ultimate showering space with the Kudos ultimate shower panel system.

**ultimate 10mm over-bath panels also available see page 44**

### Features & Benefits:

- + Lifeshield™ easy clean glass coating
- + 13 flat panel sizes
- + 1950mm high (exc. fittings) 1985mm high (inc. fittings)
- + Glass to floor gasket to minimise silicone
- + Easy fit dry-seal wall post, requiring no silicone
- + Available in a number of colour finishes

ultimate recess: 1 panel, 1 x matt black wall post, 1 x matt black front panel fixing kit, 1 x aqua4ma evolution centre waste deck

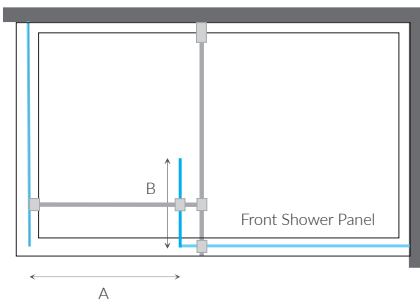


# Functional and stunning ultimate deflector panels.

## Deflector Panels

Designed to contain the majority of over-spray and splashing within the showering area, Kudos ultimate deflector panels are available in three styles, each option is able to be retro-fitted and can be added at a later date if required.

Enjoy the pleasure and appearance of a walk-in shower even where space is at a premium. With the ability to fit a deflector panel it is now possible to create a functional and stunning enclosure even as small as 1200mm\*.

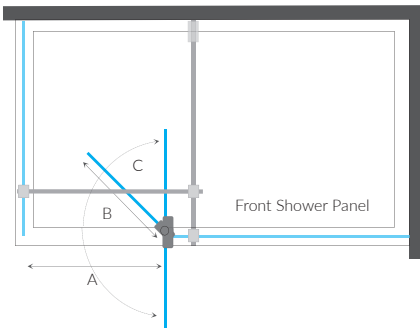


A = Rec min access 500mm  
B = 265mm

### Fixed Deflector Panel:

Supplied with fixings to connect to standard fixing kit recess or corner. This 255mm fixed deflector panel provides a 90° angled barrier to prevent splashing outside of the showering area.

**Not suitable for use with angled or ceiling fixing kit. Not for use with curved panels**

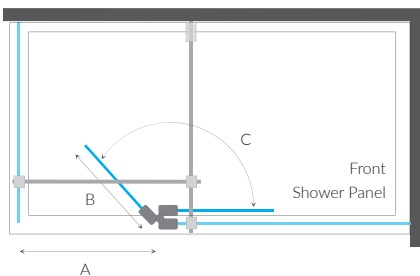


A = Rec min access 500mm  
B = 300mm or 400mm  
C = 180° rotation for easy access

### Hinged Deflector Panel:

Available in 300 and 400mm widths in both 8 & 10mm glass thickness, the hinged deflector rotates through 180° for easy access. Featuring heavy duty hinges with crystal clear seals for minimalist appearance. Available in both 8 & 10mm glass thickness and featuring heavy duty hinges and crystal clear vertical seal.

**Suitable for use with flat and curved panel enclosures and all ultimate fixing kits**



A = Rec min access 500mm  
B = 300mm  
C = 135° rotation stops at optimum position for maximum overspray protection

### Fold-Away Hinged Deflector Panel:

Designed to fit neatly behind the front panel when not in use, the 300mm Fold-Away deflector panel stops at a 45° angle to the front panel when in use to provide the optimum protection from over-spray. Available in both 8 & 10mm glass thickness.

**Suitable for use with flat panel enclosures and all ultimate fixing kits**

**Note: All ultimate Hinged Deflector Panels are handed please suffix codes with LH or RH. All illustrations show Right Hand option.**

**\*Please note that whilst deflector panels will contain a significant amount of overspray they are not intended to be watertight so some water may leave the showering area (particularly with smaller configurations).**

Ultimate bronze tinted glass with brushed brass wall post and front panel fixing kit



# Ultimate coloured glass finishes creating the perfect enclosure.

## Coloured 10mm Glass Panels

4 colour finishes in 5 panel sizes, these 10mm wet room panels will make a statement in any bathroom.

### Features & Benefits:

- + 10mm toughened safety glass
- + 1985mm high (including fixings)
- + Treated with LifeShield for easy cleaning
- + Foldaway deflectors available
- + Covered by the Kudos Lifetime guarantee
- + Made in Britain

Width	Product Codes			
	Bronze Tint	Smoke Grey	Satin (Frosted)	Smoke Grey With Satin Frosted Band
700mm	10WP700BG	10WP700GR	10WP700SA	10WP700GRSA
800mm	10WP800BG	10WP800GR	10WP800SA	10WP800GRSA
900mm	10WP900BG	10WP900GR	10WP900SA	10WP900GRSA
1000mm	10WP1000BG	10WP1000GR	10WP1000SA	10WP1000GRSA
1200mm	10WP1200BG	10WP1200GR	10WP1200SA	10WP1200GRSA

## Coloured 10mm Fold Away Deflector Panels

Kudos ultimate fittings are available in Chrome/Silver, Matt Black, Brushed Nickel and Brushed Brass. In addition Polished Gold, Polished Bronze, Brushed Bronze, Gun Metal and White are available to special order.

### Features & Benefits:

- + 10mm toughened safety glass
- + 1985mm high (including fixings)
- + Treated with LifeShield for easy cleaning
- + Special order item, please allow upto 4 weeks for delivery.
- + Covered by the Kudos Lifetime guarantee
- + Made in Britain

Deflector Colours	Product Codes	
	10mm Fold Away Deflector Panel (Left Hand)	10mm Fold Away Deflector Panel (Right Hand)
Chrome With Satin (Frosted) Glass	10WPFADPLHSA	10WPFADPRHSA
Chrome With Smokes Grey Glass	10WPFADPLHGR	10WPFADPRHGR
Chrome With Bronze Tint Glass	10WPFADPLHBG	10WPFADPRHBG
Chrome With Smoke Grey & Satin (Frosted) Band Glass	10WPFADPLHGRSA	10WPFADPRHGRSA
Matt Black With Satin (Frosted) Glass	10WPFADPLHSAMBK	10WPFADPRHSAMBK
Matt Black With Smoke Grey Glass	10WPFADPLHGRMBK	10WPFADPRHGRMBK
Matt Black With Smoke Grey & Satin (Frosted) Band Glass	10WPFADPLHGRSAMBK	10WPFADPRHGRSAMBK
Brushed Brass With Bronze Tint Glass	10WPFADPLHBGBRG	10WPFADPRHBGBRG

### Glass Colour Finishes



Satin Frosted



Bronze Tint



Smoke Grey



Smoke Grey with Satin Frosted Band

Ultimate10 enclosure, matt black wallpost with smoke grey glass



# ultimate<sup>10</sup>

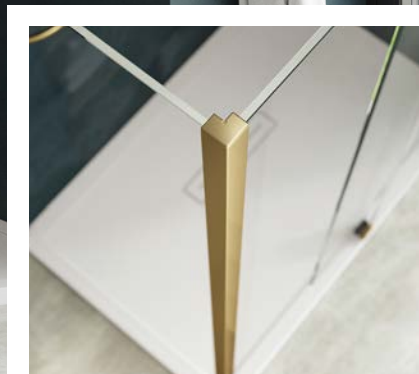
## Glass to glass corner post

Introducing the new glass to glass corner post, this addition to our modular wet room panel range allows you to choose between either a minimalist approach (using the ultimate corner to corner seal) or a more traditional look and feel using the glass to glass corner post.

### Features & Benefits:

- + To be used with ultimate wet room panels
- + 1985mm high (including fittings)
- + Available in 9 colour finishes
- + Covered by the Kudos Lifetime Guarantee

Ultimate 10mm walk-in enclosure in brushed brass finish, with glass to glass corner post and fold-away deflector panel on a connect2 tray



Brushed brass glass to glass corner post



# ultimate<sup>10</sup>

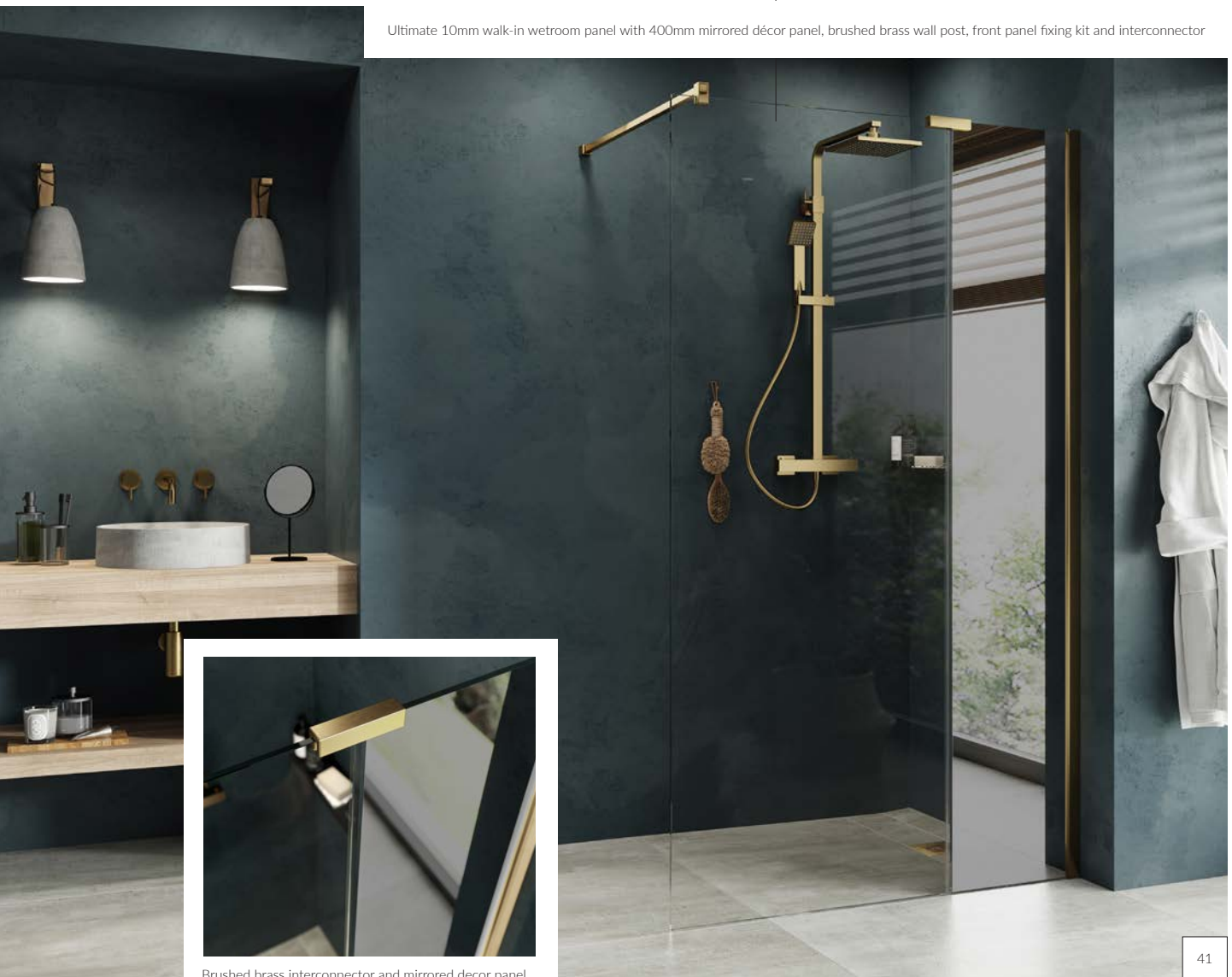
## Interconnector & mirrored décor panel

Designed to be used alongside the ultimate wet room panel range, the interconnector allows you to connect two panels together, enabling you to create either a larger enclosure or incorporate some of our coloured/ mirrored glass options into your design.

### Features & Benefits:

- + To be used with ultimate wet room panels
- + 1985mm high (including fittings)
- + Available in 9 colour finishes
- + Covered by the Kudos Lifetime Guarantee

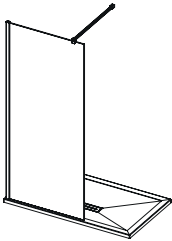
Ultimate 10mm walk-in wetroom panel with 400mm mirrored décor panel, brushed brass wall post, front panel fixing kit and interconnector



Brushed brass interconnector and mirrored décor panel

# Create the walk-in that is perfect for your bathroom.

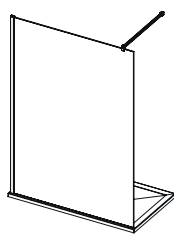
## Flat Panel Configurations



**Recessed**

- 1 x Glass Panel
- 1 x Wall Post
- 1 x Front Panel Fixing Kit\*

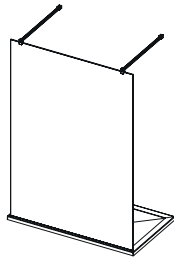
\*Standard, Ceiling or Angled



**Open Ended**

- 1 x Glass Panel
- 1 x Wall Post
- 1 x Front Panel Fixing Kit\*

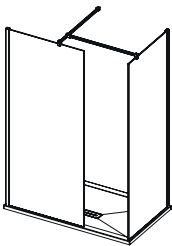
\*Standard, Ceiling or Angled



**Walk Through**

- 1 x Glass Panel
- 2 x Front Panel Fixing Kits\*

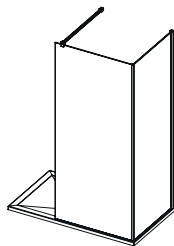
\*Standard



**Corner**

- 1 x Glass Panel (Front)
- 1 x Glass Panel (Side)
- 2 x Wall Posts
- 1 x Front Panel Fixing Kit\*
- 1 x Side Panel Fixing Kit\*

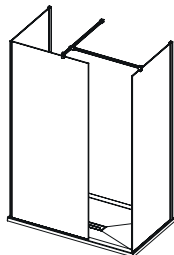
\*Standard, Ceiling or Angled



**Corner (glass to glass)**

- 1 x Glass Panel (Front)
- 1 x Glass Panel (Side)
- 1 x Wall Post
- 1 x Front Panel Fixing Kit\*
- 1 x Corner Seal

\*Standard, Ceiling or Angled



**Three Sided**

- 1 x Glass Panel (Front)
- 2 x Glass Panels (Side)
- 2 x Wall Posts
- 1 x Front Panel Fixing Kit\*
- 1 x Side Panel Fixing Kit\*
- 1 x Corner Seal

\*Standard, Ceiling or Angled

## 10mm Flat Panels

### Codes & Dimensions

Panel Sizes*	Product Code 10mm Glass
200mm Glass Panel	10WP200
300mm Glass Panel	10WP300
400mm Glass Panel	10WP400
500mm Glass Panel	10WP500
600mm Glass Panel	10WP600
700mm Glass Panel	10WP700
760mm Glass Panel	10WP760
800mm Glass Panel	10WP800
900mm Glass Panel	10WP900
1000mm Glass Panel	10WP1000
1100mm Glass Panel	10WP1100
1200mm Glass Panel	10WP1200
1400mm Glass Panel	10WP1400
Glass to Glass Corner Seal	10WPCS

\*Sizes shown are nominal. All panels are undersized by 45mm to allow for tiling when fitting to shower trays. When choosing your panel size we recommend allowing access of approx. 500mm.

**Ultimate flat panel walk-in enclosures can be fitted to tiled floors or most standard shower trays, however if fitting to a shower tray for complete peace of mind we recommend using a Kudos Kstone or the stunning connect2.**

## Fixing Kits

To secure your shower panel we offer a number of fixing options. For maximum stability we recommend the Standard fixing kit, available for both front panel and side panels. However, if it is not possible to use this style of fixing, we also offer an angled fixing kit in 2 sizes or a glass to ceiling support which can be cut to the desired length.



Angled Fixing Kit



Ceiling Fixing Kit



Standard Fixing Kit.

## Fixings & Deflector Panels

Description	Silver/Chrome *Product Code	Matt Black Product Code	Brushed Brass Product Code	Brushed Nickel Product Code
Wall Post for Flat Glass Panels	10WPK	10WPKMBK	10WPKBRG	10WPKBRN
Front Panel Fixing Kit Standard (1000mm)	10WPFPFK	10WPFPFKMBK	10WPFPFKBRG	10WPFPFKBRN
Glass to Glass Corner Seal	10WPCS	-	-	1-
Interconnector	10WPIC	10WPICMBK	10WPICBRG	10WPICBRN
Front Panel Fixing Kit (1500mm)	10WPFPFK150	10WPFPFK150MBK	10WPFPFK150BRG	10WPFPFK150BRN
Side Panel Fixing Kit	10WSPFK	10WSPFKMBK	10WSPFKBRG	10WSPFKBRN
Glass to Ceiling Fixing Kit	10WPGC	10WPGCMBK	10WPGCBRG	10WPGCBRN
Angled Fixing Kit (300mm)	10WPGW30	10WPGW30MBK	10WPGW30BRG	10WPGW30BRN
**Angled Fixing Kit (500mm)	10WPGW50	10WPGW50MBK	-	-
**Fixed Deflector Panel 10mm Glass	10WPDEF	10WPDEFMBK	-	-
**Hinged Deflector Panel (300mm) 10mm Glass †	10WPHINDP	10WPHINDPMBK	-	-
**Hinged Deflector Panel (400mm) 10mm Glass †	10WPHINDP400	10WPHINDP400MBK	-	-
Fold Away Deflector Panel (300mm) 10mm Glass †	10WPFADP	10WPFADPMBK	10WPFADPBRG	10WPFADPBRN

\* Please add the following codes to your product code when ordering a colour option:

Polished Gold (PG), Polished Bronze (PB), Brushed Bronze (BRB) Gun Metal (GM) and White (WH).

All are special order items, please allow 8 weeks

\*\* Only available in Chrome and Matt Black

† Hinged and Fold-away deflector panels are handed please suffix codes with LH or RH

## Colour Finishes

Kudos ultimate fittings are available in Chrome/Silver, Matt Black, Brushed Nickel and Brushed Brass. In addition Polished Gold, Polished Bronze, Brushed Bronze, Gun Metal and White are available to special order.

### Standard Colour Finishes



Chrome



Brushed Nickel



Matt Black



Brushed Brass

### Special Order Colour Finishes\*



Polished Gold



Gun Metal



Polished Bronze



White



Brushed Bronze

\*Special order items, please allow 8 weeks

ultimate 10mm over bath panels also available see page 44

# ultimate<sup>10</sup>

## Over-bath panels

Based on the Kudos ultimate walk-in shower enclosure system, ultimate fixed shower panels offer a simple yet elegant solution to over-bath showering. Available in 4 panel sizes in stunning 10mm toughened safety glass with Lifeshield™ coating and a choice of fixings, you can create combinations to suit virtually all situations. Available in a number of colour finishes.

A retro-fit Foldaway deflector panel allows for smaller front panels to be fitted to give maximum access to the bath whilst ensuring that when showering the spray is contained within the bathing area.

### Features & Benefits:

- + Lifetime Guarantee
- + 10mm Toughened safety glass with Lifeshield™ protection
- + Adjustment for out of true walls
- + Available in a number of colour finishes

800mm panel, L/H fold away deflector panel, front panel fixing kit and wall post



800mm panel, 700mm panel, L/H fold away deflector panel, front panel fixing kit and wall post



A flexible, innovative, approach to over-bath showering.



Single panel with right hand deflector panel, angled fixing kit and wall post

## Foldaway deflector panels

The ultimate over-bath foldaway deflector panel when in use helps keep water inside the bath and when not in use folds neatly behind the front panel leaving access to the bath.



## Colour Finishes

Kudos ultimate fittings are available in chrome/ silver, matt black and brushed brass, in addition brushed nickel and polished gold are available to special order.

### Standard Colour Finishes



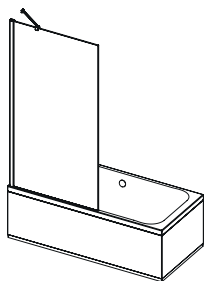
### Special Order Colour Finishes\*



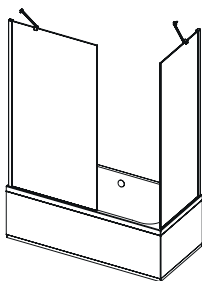
\*Special order items, please allow 8 weeks

## Configurations

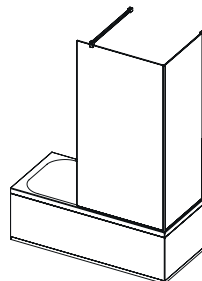
Illustrations show some of the configurations possible with the Kudos ultimate over-bath shower panel system. Each option shows the components required, to which a foldaway deflector kit can be added.



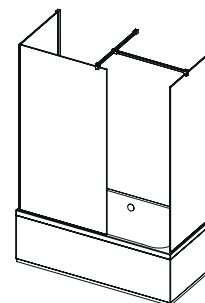
- Single Panel**  
 1 x Glass Panel  
 1 x Wall Post  
 1 x Front Panel Fixing Kit\*  
**\*Standard, Ceiling or Angled**



- Corner**  
 1 x Glass Panel (Front)  
 1 x Glass Panel (End)  
 2 x Wall Post  
 1 x Front Panel Fixing Kit\*  
 1 x Side Panel Fixing Kit\*  
**\*Standard, Ceiling or Angled**



- Corner (glass to glass)**  
 1 x Glass Panel (Front)  
 1 x Glass Panel (End)  
 1 x Wall Post  
 1 x Front Panel Fixing Kit\*  
 1 x Corner Seal  
**\*Standard, or Ceiling**



- Three Sided**  
 1 x Glass Panel (Front)  
 2 x Glass Panels (End)  
 2 x Wall Posts  
 1 x Front Panel Fixing Kit\*  
 1 x Side Panel Fixing Kit\*  
 1 x Corner Seal  
**\*Standard, or Ceiling**

## Glass Panels

Description	Product Code
700mm x 1600mm (10mm Glass Panel)	10BSWP700
750mm x 1600mm (10mm Glass Panel)	10BSWP750
800mm x 1600mm (10mm Glass Panel)	10BSWP800
900mm x 1600mm (10mm Glass Panel)	10BSWP900

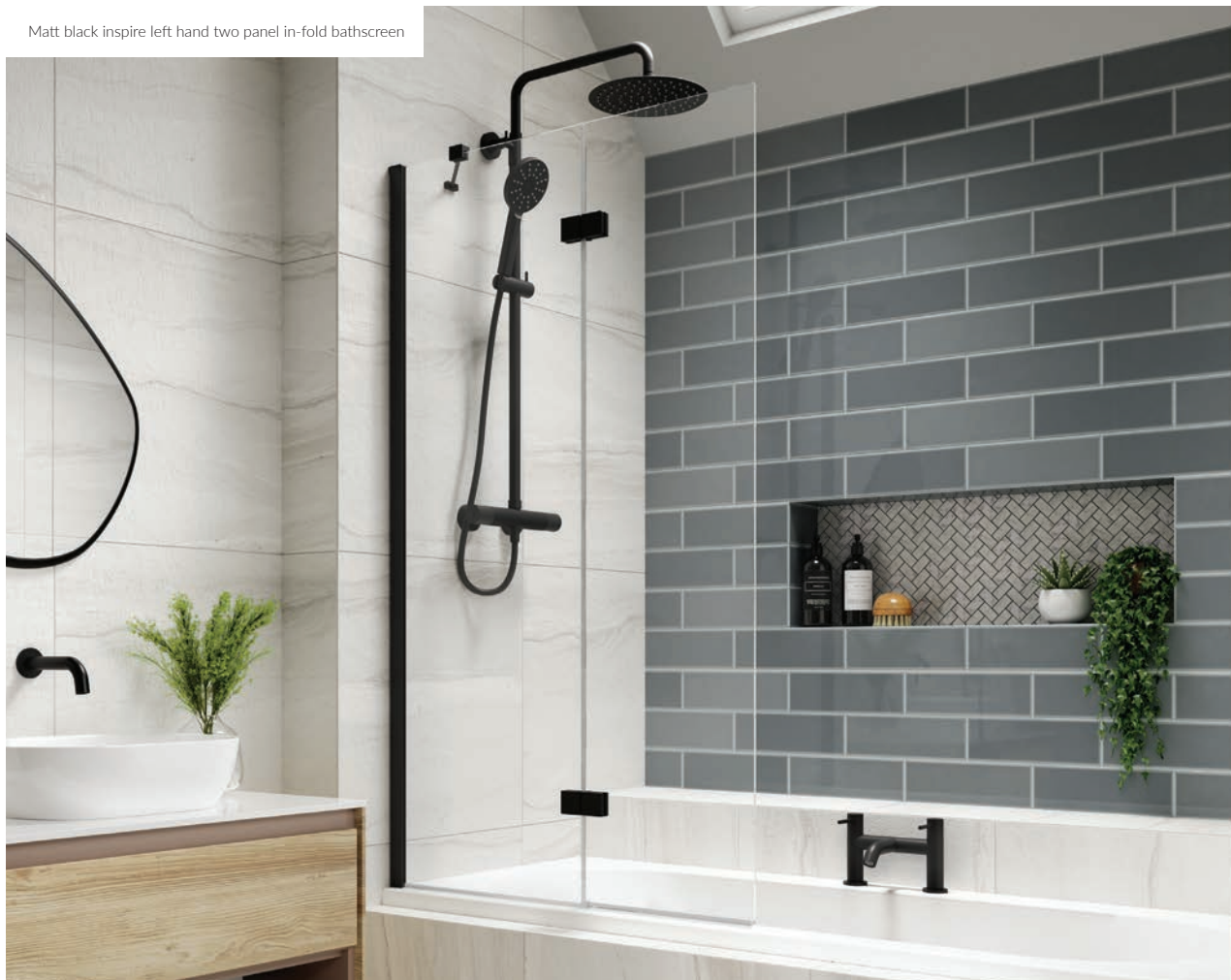
## Fixings & Deflector Panels

### Codes & Dimensions

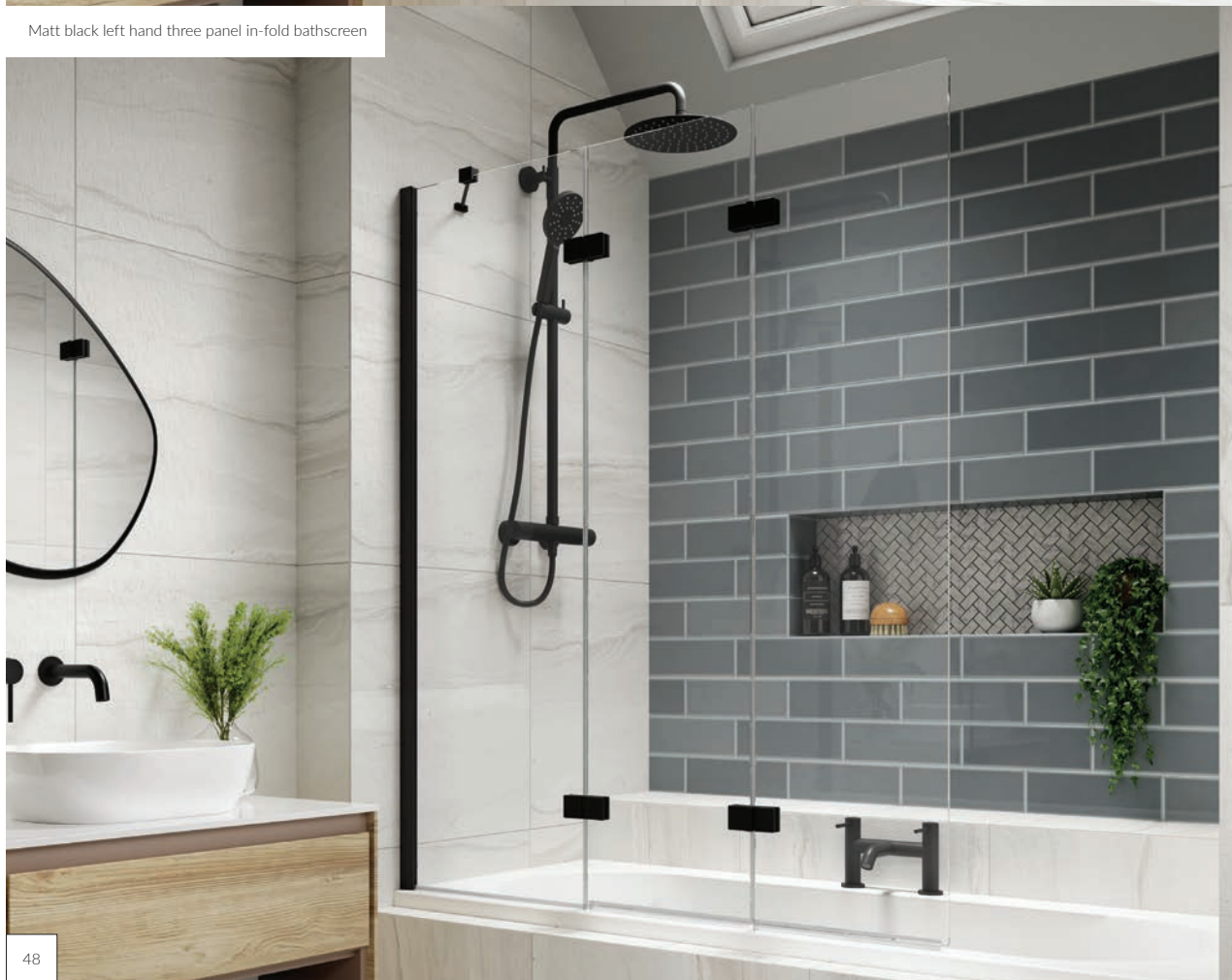
Description	Silver/Chrome Product Code	Matt Black Product Code	Brushed Nickel Product Code	Brushed Brass Product Code	Polished Gold Product Code
Wall Post	10BSBSWPK	10BSBSWPKMBK	10BSBSWPK BRN	10BSBSWPK BRG	10BSBSWPK PG
Front Pane Fixing Kit	10WPFPFK	10WPFPFKMBK	10WPFPFKBRN	10WPFPFKBRG	10WPFPFKPG
Side Panel Fixing Kit	10WPSPFK	10WPSPFKMBK	10WPSPFKBRN	10WPSPFKBRG	10WPSPFKPG
300mm Angled Fixing Kit	10WPGW30	10WPGW30MBK	10WPGW30BRN	10WPGW30BRG	10WPGW30PG
Glass to Ceiling Fixing Kit	10WPGC	10WPGCMBK	10WPGCBRN	10WPGCBRG	10WPGCPG
Glass to Glass Corner Seal	10BSWPCS	-	-	-	-
Foldaway Hinged Deflector Kit (Left Hand)*	10BSWPFADPLH	10BSWPFADPLHMBK	10BSWPFADPLHBRN	10BSWPFADPLHBRG	10BSWPFADPLHPG
Foldaway Hinged Deflector Kit (Right Hand)*	10BSWPFADPRH	10BSWPFADPRHMBK	10BSWPFADPRHBRN	10BSWPFADPRHBRG	10BSWPFADPRHPG

\* Deflectors are handed by which side the hinges are located. Refer to pages 30/36 for more information

Matt black inspire left hand two panel in-fold bathscreen



Matt black left hand three panel in-fold bathscreen





# inspire

## Bathscreen collection

Characterised by minimalist frameless design and innovative technologies including click-to-lock hinges to hold your screen in place and our unique.

SmartSeal Technology, available in single, two, three and four panel options. Featuring toughened safety glass throughout, our 6mm range is now available in either a chrome or matt black finish.

### Features & Benefits

- + 6mm or 8mm glass options
- + Reversible for left or right hand fixing
- + SmartSeal technology
- + Lifetime Guarantee
- + Toughened safety glass with Lifeshield™ protection
- + Adjustment for out of true walls



Chrome inspire right hand single panel bathscreen

# inspire

## Single panel screens

Our Single Panel Bath Screens are larger than average, measuring 1500mm high and 850mm wide, to provide a more generous showering area.

For added comfort and convenience, Single Panel Bath Screens are available with an integrated rail so you can keep your towel conveniently within reach.

SmartSeal Technology incorporates integrated mouldings and twin element seals, delivering the ultimate shower protection.

### Features & Benefits:

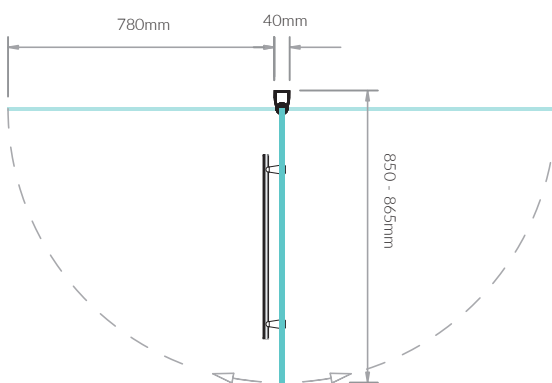
- + 6mm or 8mm glass options
- + Reversible for left or right hand fixing
- + Optional towel rail
- + SmartSeal technology
- + Lifetime Guarantee
- + Toughened safety glass with Lifeshield™ protection
- + Adjustment for out of true walls

### Codes & Demsions

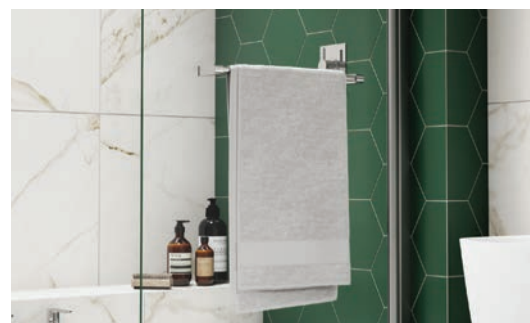
Bath Screens	Chrome Product Code	Matt Black Product Code
Single Panel 6 mm	3BASC6NHS	3BASC6NHSMBK
Single Panel 6 mm including towel rail	3BASC6S	3BASC6SMBK
Single Panel 8 mm	3BASC8NHS	-
Single Panel 8 mm including towel rail	3BASC8S	-

**Note:** Kudos Bath screens are designed to fit on most standard straight edge baths. For best performance and water retention all fixed and moving panels should be parallel to the inner edge of the bath.

### Overhead Diagram



**Dimensions:** H: 1500mm x W: 850mm



Optional towel rail



Chrome right hand single panel bathscreen



Matt black right hand single panel bathscreen



# inspire

## Two panel out-swing screens

The Two Panel Out Swing Screens are designed to provide an extended showering area of 950mm, yet still provide easy access to the bath.

Featuring a 305mm fixed panel that is permanently sealed to the bath and providing absolute showering protection. The larger 645mm panel opens out to allow access to shower controls and cleaning.

With Click-to-Lock hinges holding the screen in position, Out-Swing Bath Screens are also available with an integrated rail so you can keep your towel conveniently within reach.

### Features & Benefits:

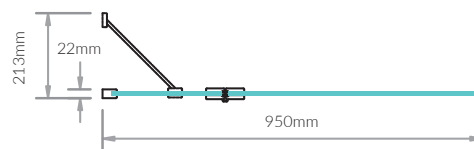
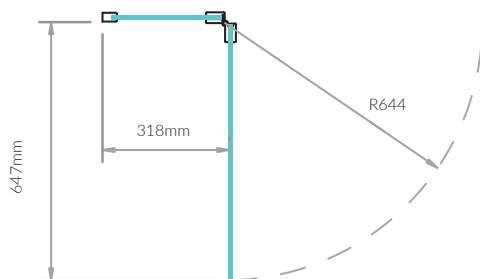
- + 6mm or 8mm glass options
- + Optional towel rail
- + Click-to-Lock hinges
- + SmartSeal technology
- + Lifetime Guarantee
- + Toughened safety glass with Lifeshield™ protection
- + Adjustment for out of true walls

### Codes & Demsions

Bath Screens	Chrome Product Code	Matt Black Product Code
Two Panel Out-Swing 6mm - LH	4BASC2PFOUHLHS	4BASC2PFOUHLHSMBK
Two Panel Out-Swing 6mm - RH	4BASC2PFOURHS	4BASC2PFOURHSMBK
Two Panel Out-Swing 6mm - including towel rail - LH	4BASC2PO6L	4BASC2PO6LMBK
Two Panel Out-Swing 6mm - including towel rail - RH	4BASC2PO6R	4BASC2PO6RMBK
Two Panel Out-Swing 8mm - LH	4BASC2PO8NHL	-
Two Panel Out-Swing 8mm - RH	4BASC2PO8NHR	-
Two Panel Out-Swing 8mm - including towel rail - LH	4BASC2PO8L	-
Two Panel Out-Swing 8mm - including towel rail - RH	4BASC2PO8R	-

**Note:** Kudos Bath screens are designed to fit on most standard straight edge baths. For best performance and water retention all fixed and moving panels should be parallel to the inner edge of the bath.

### Overhead Diagram



**Dimensions:** H: 1500mm x W: 950mm

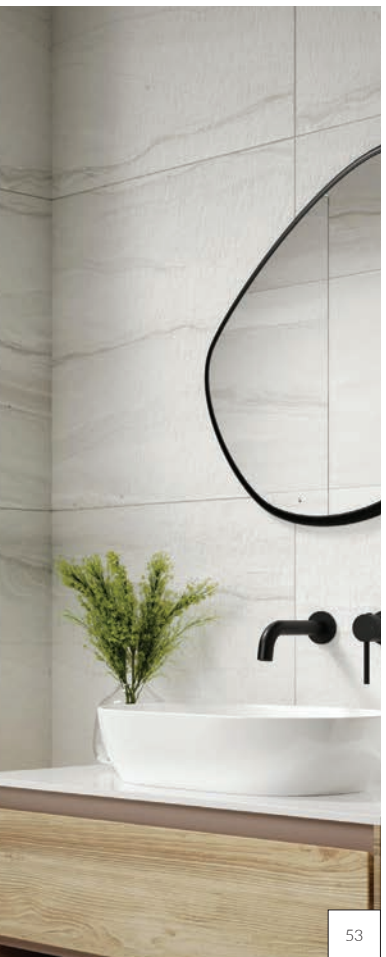
All **inspire** multi panel bath screens are handed, please specify left or right hand fixing when ordering.



Chrome right hand two panel out-swing screen



Matt black right hand two panel out-swing screen



# inspire

## Two panel in-fold screens

Kudos Two Panel In-Fold Screens feature a 500mm fixed panel that is permanently fixed to the bath and a smaller 375mm in-folding panel which sits behind the fixed panel when not in use, allowing easy access to the bath.

When in use the two panels provide a generous 875mm showering area. High quality Click-to-Lock hinges secure the screen so it is positioned along the inner edge of the bath.

### Features & Benefits:

- + 6mm or 8mm glass options
- + Optional towel rail
- + Click-to-Lock hinges
- + SmartSeal technology
- + Lifetime Guarantee
- + Toughened safety glass with Lifeshield™ protection
- + Adjustment for out of true walls

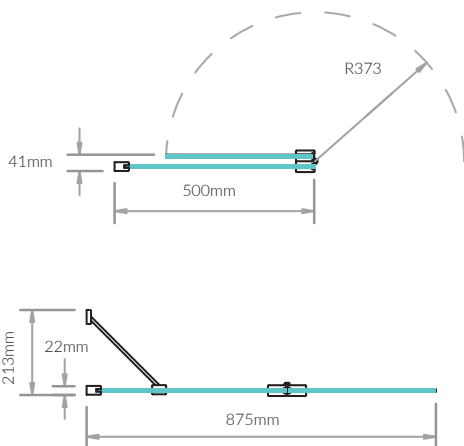
### Codes & Demsions

Bath Screens	Chrome Product Code	Matt Black Product Code
Two Panel In-Fold 6mm - LH	4BASCDUOLHS	4BASCDUOLHSMBK
Two Panel In-Fold 6mm - RH	4BASCDUORHS	4BASCDUORHSMBK
Two Panel In-Fold 8mm - LH	4BASCDUO8LH	-
Two Panel In-Fold 8mm - RH	4BASCDUO8RH	-

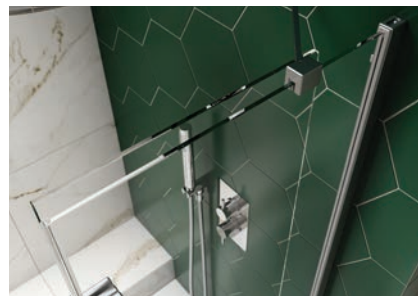
**Note:** Kudos Bath screens are designed to fit on most standard straight edge baths. For best performance and water retention all fixed and moving panels should be parallel to the inner edge of the bath.

All **inspire** multi-panel bath screens are handed, please specify left or right hand fixing when ordering.

### Overhead Diagram



**Dimensions:** H: 1500mm x W: 875mm



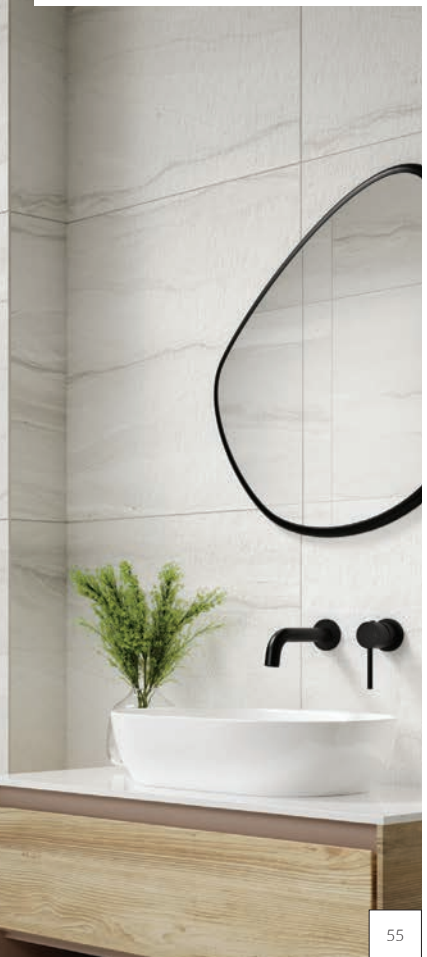
Two panel in closed position



Chrome right hand two panel in-fold bathscreen



Matt blackright hand two panel in-fold bathscreen



# inspire

## Three panel in-fold screens

The stunning Kudos Three Panel In-Fold Screen is the ultimate in over-bath showering protection.

The screen extends to 1250mm, yet folds to just 500mm when not in use providing the features of a relaxing bath as well as the benefit of an oversized shower area. Featuring unique Click-to-Lock hinges to ensure the panels remain in-line when in use.

### Features & Benefits:

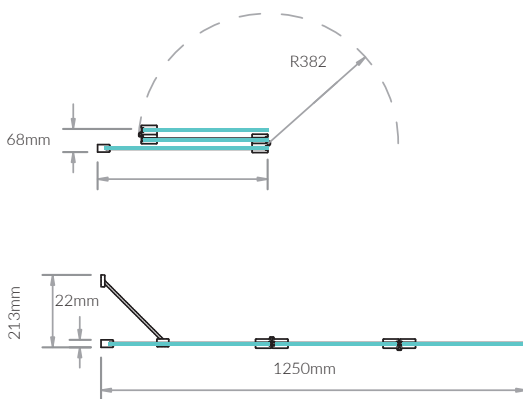
- + 6mm glass option only
- + Lifetime Guarantee
- + Adjustment for out of true walls
- + Click-to-Lock hinges
- + SmartSeal technology
- + Toughened safety glass with Lifeshield™ protection

### Codes & Dimensions

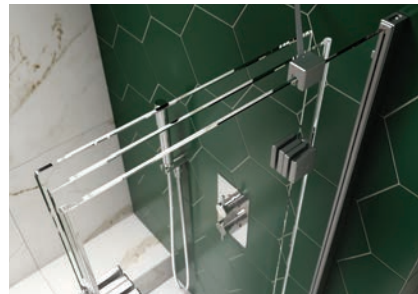
Panel Options	Chrome Product Code	Matt Black Product Code
Three Panel In-Fold 6mm - LH	BASCTRIPLEPLHS	BASCTRIPLEPLHSMBK
Three Panel In-Fold 6mm - RH	BASCTRIPLEPRHS	BASCTRIPLEPRHSMBK

**Note:** Kudos Bath screens are designed to fit on most standard straight edge baths. For best performance and water retention all fixed and moving panels should be parallel to the inner edge of the bath.

### Overhead Diagram



**Dimensions:** H: 1500mm x W: 875mm

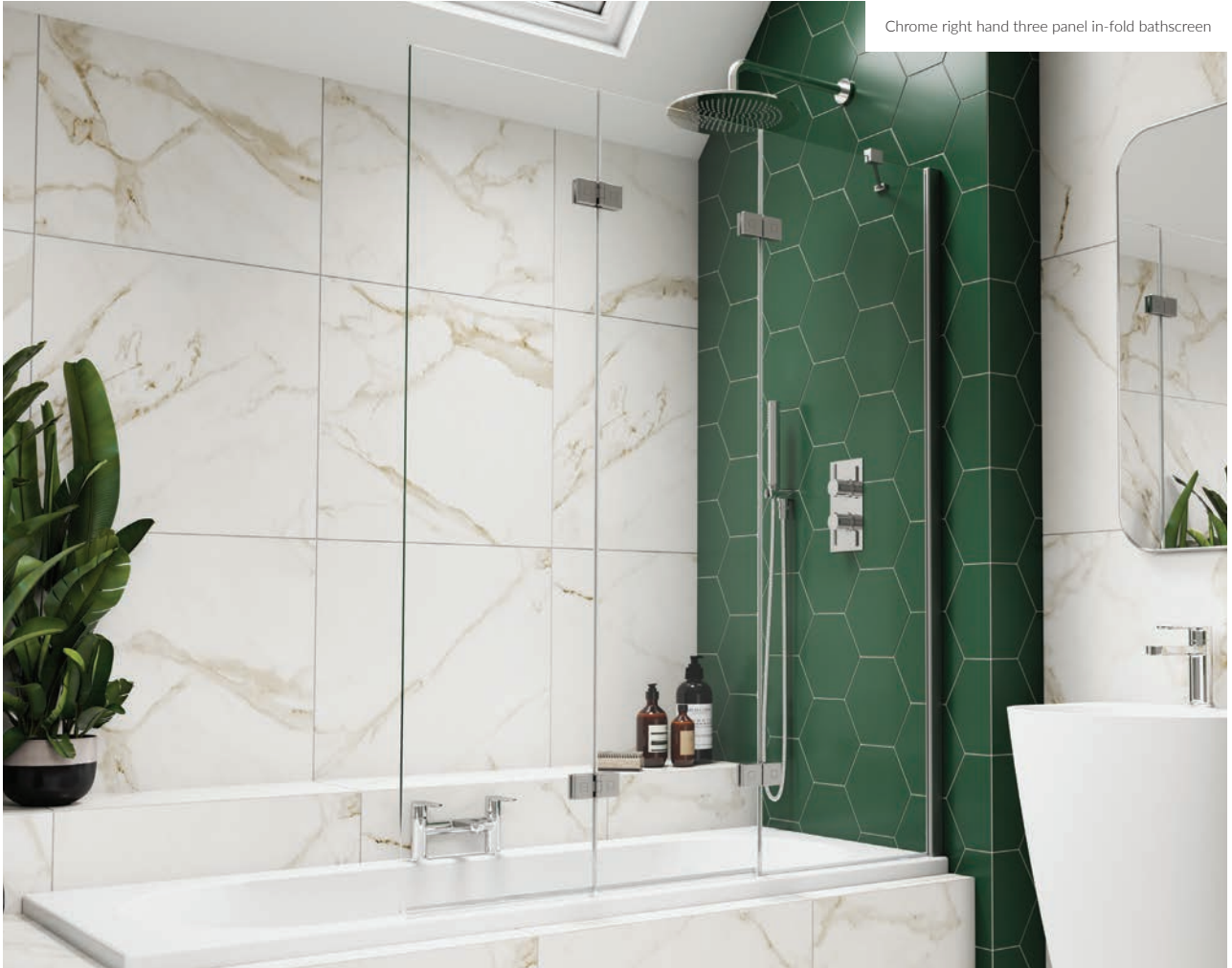


Three panel in closed position

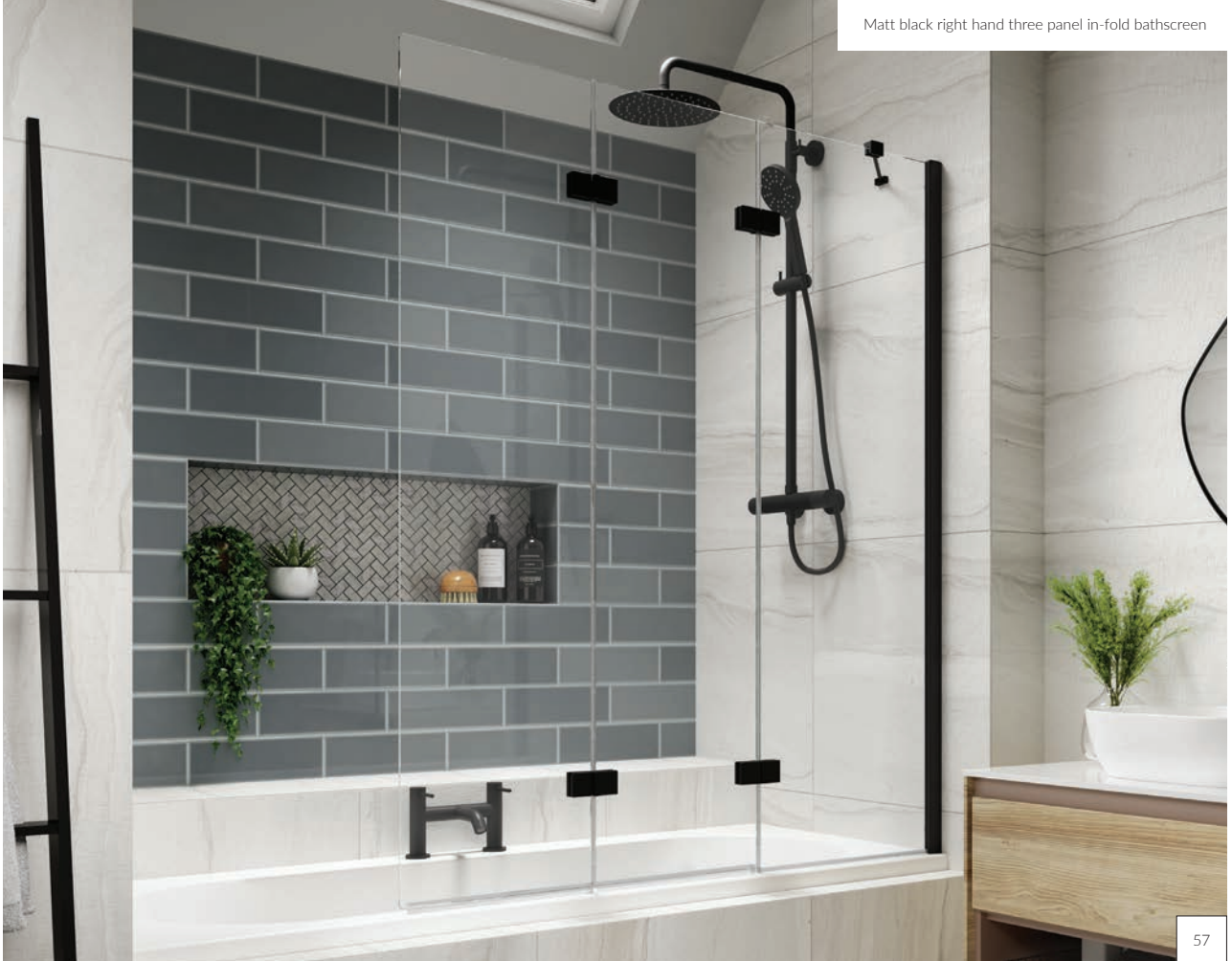
All **inspire** multi-panel bath screens are handed, please specify left or right hand fixing when ordering.



Chrome right hand three panel in-fold bathscreen



Matt black right hand three panel in-fold bathscreen



# inspire

## Four panel in-fold screens

For greater access to the bath without compromising on shower protection, the Kudos Four Panel In-Fold Screen is the solution.

Each of the three 215mm hinged panels sit comfortably behind the 305mm fixed panel providing virtually unimpeded access to the bath, yet when in use extends to 950mm for excellent showering protection.

### Features & Benefits:

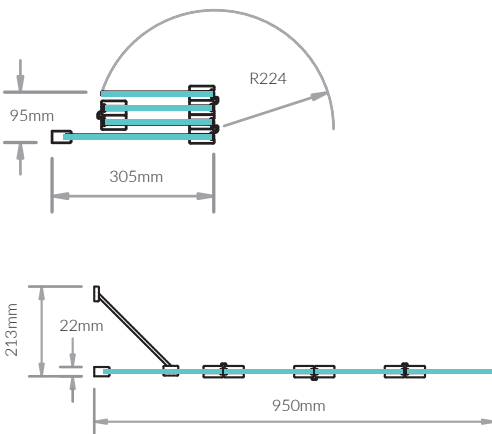
- + 6mm glass option only
- + Lifetime Guarantee
- + Adjustment for out of true walls
- + Click-to-Lock hinges
- + SmartSeal technology
- + Toughened safety glass with Lifeshield™ protection

### Codes & Dimensions

Bath Screens	Chrome Product Code	Matt Black Product Code
Four Panel In-Fold 6mm - LH	4BASCOMPLHS	4BASCOMPLHSMBK
Four Panel In-Fold 6mm - RH	4BASCOMPRHS	4BASCOMPRHSMBK

**Note:** Kudos Bath screens are designed to fit on most standard straight edge baths. For best performance and water retention all fixed and moving panels should be parallel to the inner edge of the bath.

### Overhead Diagram

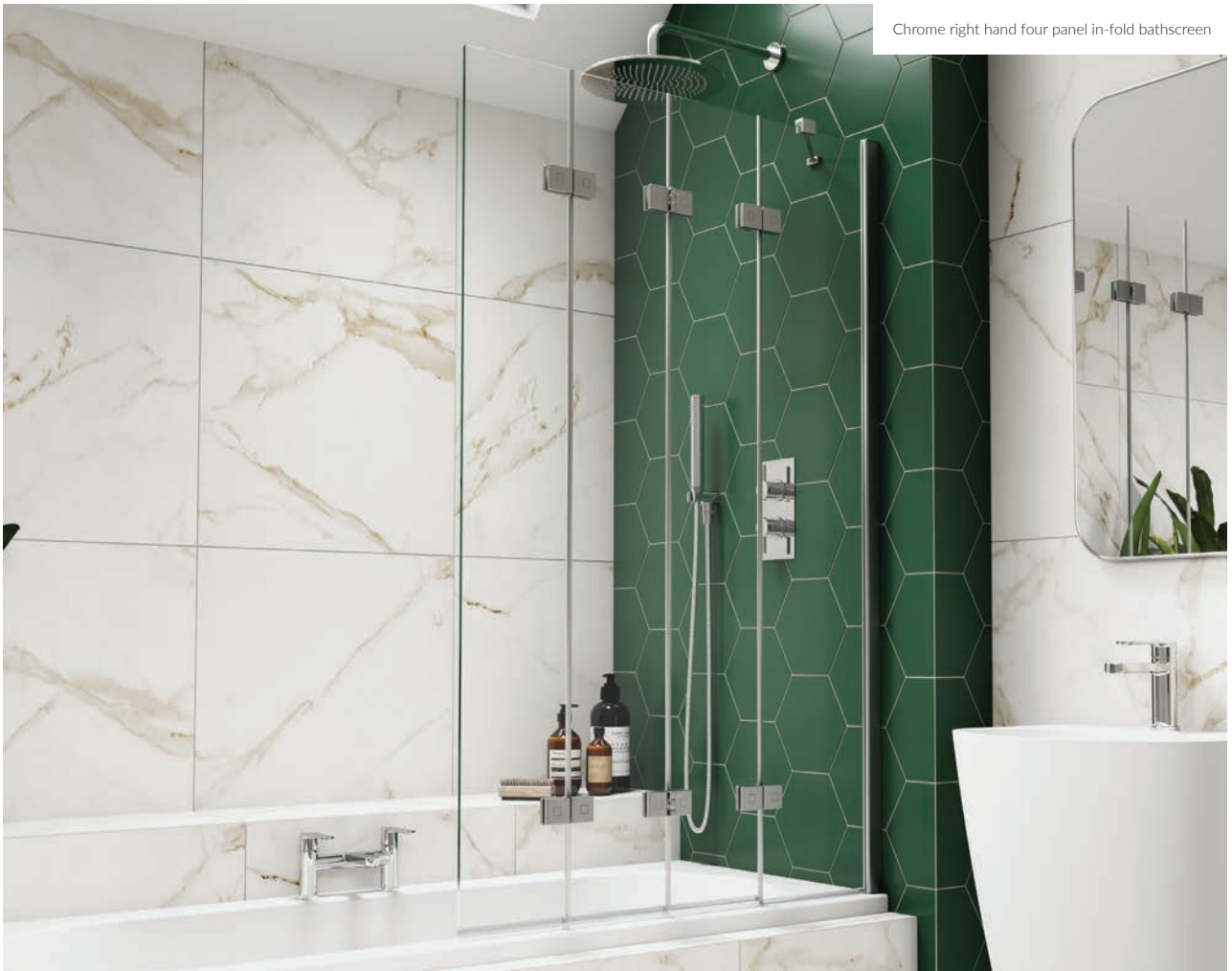


**Dimensions:** H:1500mm x W:950mm



Four panel in closed position

All **inspire** multi-panel bath screens are handed, please specify left or right hand fixing when ordering.



Chrome right hand four panel in-fold bathscreen



Matt black right hand four panel in-fold bathscreen

# inspire

## Shower panel & integrated rail

The Kudos Over-Bath Shower Panel with integrated shower rail delivers the ultimate protection from water spillage. Its robust construction makes it ideal for use with the most powerful shower systems and its stylish and attractive design will complement any bathroom.

The bowed rail provides increased elbow room and pushes the shower curtain against the bath which helps prevent the curtain billowing and clinging to the bather.

### Features & Benefits:

- + 8mm toughened glass with Lifeshield™ protection
- + Fixed panel at 1500mm high x 350mm wide
- + Reversible for left or right hand fixing
- + 20mm wallpost adjustment for out-of-true walls
- + Bowed rail for greater space and comfort
- + Lifetime Guarantee

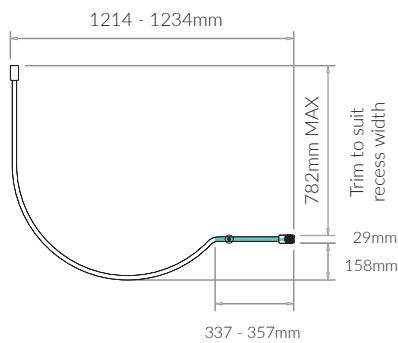
### Codes & Dimensions

Bath Screens	Product Code
*Shower Panel & Rail (Recess)	5OBSPBRR
*Shower Panel & Rail *Recess (Corner)	5OBSPBCR

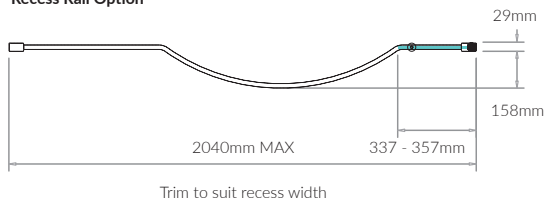
\* shower curtain and hooks not included

### Overhead Diagram

#### Corner Rail Option



#### Recess Rail Option





Chrome recess rail option.



Chrome corner rail option.

Connect2 high gloss shower tray



Kstone SR grey shower tray



# shower tray

## Collection

All structures are only as good as the foundations on which they are built and that is never more true than with shower enclosures. But despite this the choice of shower tray is often overlooked with more time spent focusing on the shower door or screen. The fact is that correcting an issue with an enclosure is relatively easy but if a fault develops with the tray it is often a major problem. So choosing the right shower tray is the single most important decision you can make when creating your dream shower.

The Kudos range of shower trays are designed in-house, manufactured in our own UK factories and have a reputation for outstanding quality and value for money. They provide the perfect foundation for the perfect shower and are backed by the Kudos Lifetime Guarantee for complete peace of mind.

### Features & Benefits

- + Available in 3 finishes
- + 2 designs to choose from
- + Acrylic capped ABS surface material
- + 20mm adjustment on each wall post
- + Made in Britain
- + Lifetime guarantee



Connect2 high gloss quadrant shower tray

# connect<sup>2</sup>

## Shower trays

The stunning looking connect2 is a uniquely designed shower tray featuring two offset waste positions that ensures an obstruction free connection. Whether square, rectangular or quadrant - whatever the size, the connect2 tray will allow you to connect the waste fitting without the need to reposition joists or raise the tray onto a plinth.

### High Gloss

The high gloss acrylic capped ABS skin is durable as well as being resistant to impact damage and staining.

### SR Finish - Slip & Stain Resistant

connect2 SR Trays feature the latest development in surface material which exceeds all EU standards for barefoot bathing. The slip resistant properties are embedded in the material, rather than a coating on the surface, meaning it cannot be removed and is comfortable to stand on. The textured surface provides a high level of stain resistance ensuring that your tray maintains a pristine appearance throughout its lifetime

### Slate Effect

connect2 slate effect trays feature an exclusive surface pattern taken directly from a piece of local slate for a truly authentic finish whilst maintaining the features and benefits of the acrylic surface material. It is both slip and stain resistant and also contains an anti-microbial additive to inhibit the growth of microbes including bacteria and mould.

### Features & Benefits:

- + Available in three finishes:
  - High Gloss
  - SR finish (slip and stain resistant)
  - Slate effect
- + Unique design avoids the need to cut joists or lift the tray onto a plinth
- + Guaranteed to work with all standard joist sizes and spans
- + Structural resin bonded stone filler for increased stability
- + Super slim at only 35mm high
- + Supplied with a reinforced colour matched waste cover that is magnetically secured, comfortable underfoot and is easily removed for cleaning
- + Covered by the Kudos Lifetime Guarantee

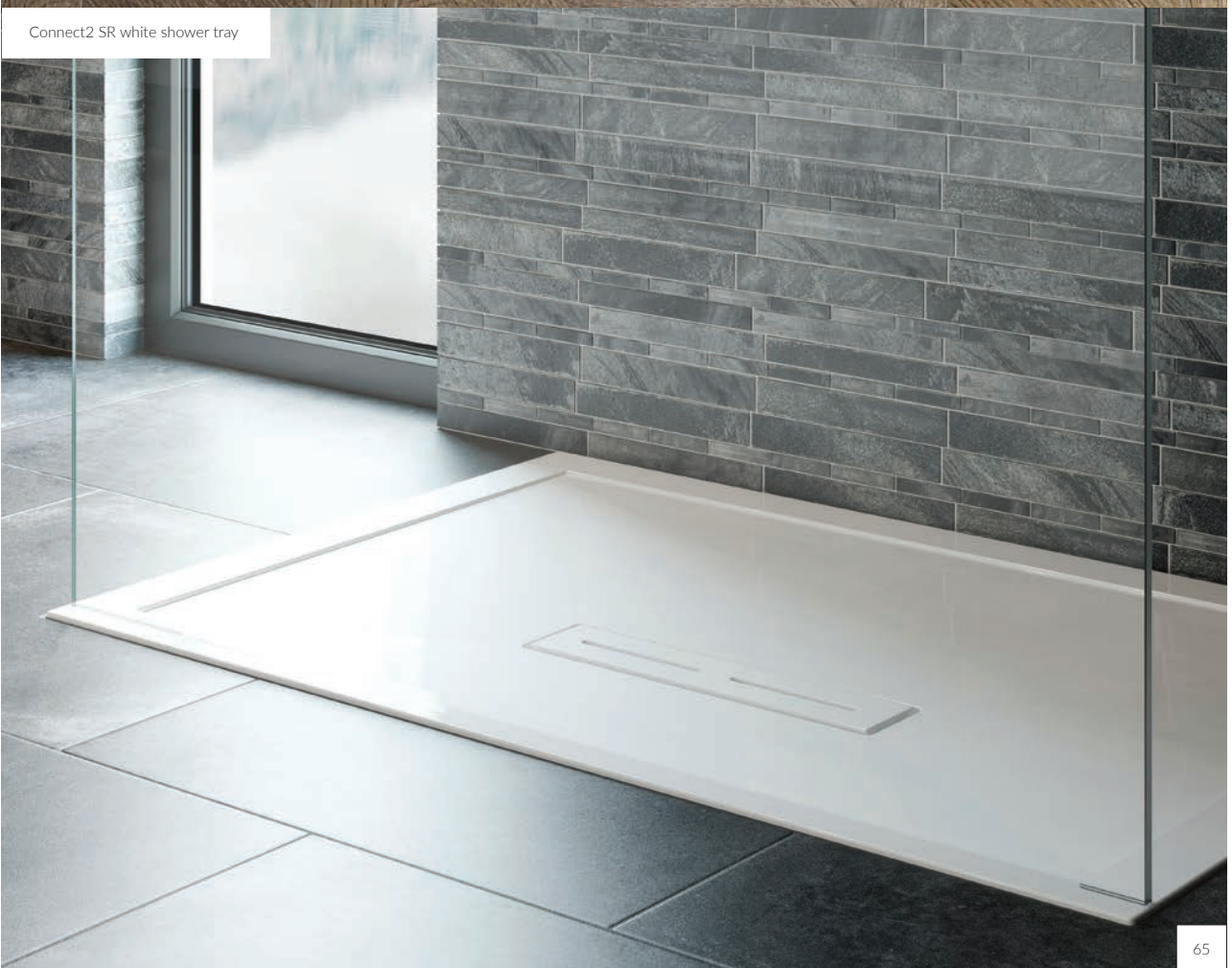




Connect2 high gloss quadrant shower tray



Connect2 SR white shower tray



# connect2

## Shower trays



The unique design of the connect2 tray ensures obstruction free waste connection irrespective of joist position or direction.

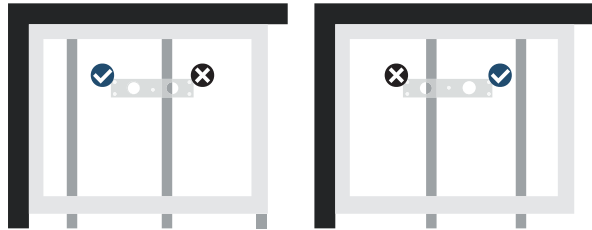


connect2 trays are supplied with a high flow waste and a blanking plug secured with solvent weld (not supplied) to block the unused waste hole.

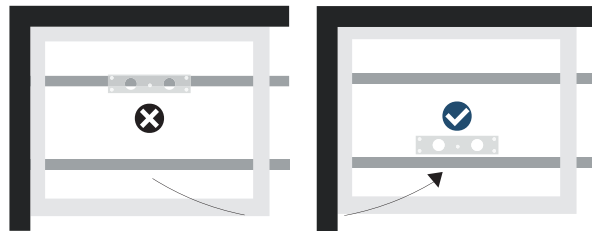


connect2 trays are supplied with a stylish colour matched linear waste cover, magnetically secured and reinforced for comfort and stability underfoot.

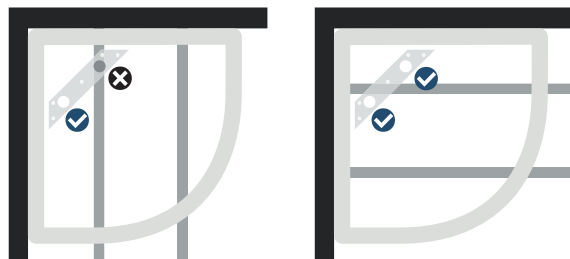
Whether square, rectangular or the quadrant - whatever the size, the connect2 tray will allow you to connect the waste fitting without the need to reposition joists or raise the tray onto a plinth.



Where joists run parallel to the width of the tray, at least one hole will always be clear.



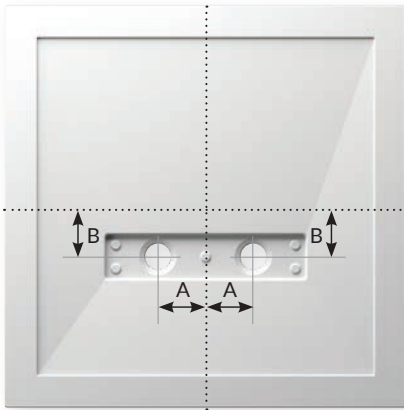
Where joists run parallel to the length of the tray and both holes are obstructed, simply turn the tray 180°. The unique offset position will ensure both will become free.



With the unique connect2 design even Quadrant and the Kudos unique Full Curve shape trays have the ability to avoid joists.

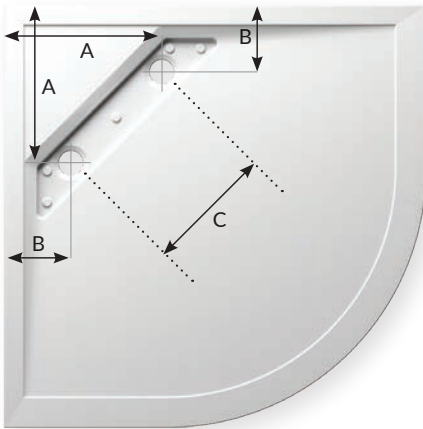
# A revolution in shower tray design

## Waste Locations



### Square & Rectangular shower trays

Position of waste holes relative to the centre of each tray. **All sizes: A - 95mm B - 100mm**



### Quadrant & Full Curve shower trays

Position of waste holes in relation to the 90° angle corner.

**All sizes: A - 336mm B - 142mm C - 275mm**

## Codes & Dimensions

Size (Length x Width)		Standard High Gloss Product Code	SR (Slip Resistant) Product Code	Slate Finish Product Code
800mm x 800mm	SQUARE	C2T80	C2T80SR	C2T80SLGR
900mm x 900mm		C2T90	C2T90SR	C2T90SLGR
900mm x 800mm	RECTANGULAR	C2T9080	C2T9080SR	C2T9080SLGR
1000mm x 800mm		C2T10080	C2T10080SR	C2T10080SLGR
1000mm x 900mm		C2T10090	C2T10090SR	C2T10090SLGR
1100mm x 800mm		C2T11080	C2T11080SR	C2T11080SLGR
1200mm x 800mm		C2T12080	C2T12080SR	C2T12080SLGR
1200mm x 900mm		C2T12090	C2T12090SR	C2T12090SLGR
1300mm x 800mm		C2T13080	C2T13080SR	C2T13080SLGR
1400mm x 700mm		C2T14070	C2T14070SR	C2T14070SLGR
1400mm x 800mm		C2T14080	C2T14080SR	C2T14080SLGR
1400mm x 900mm		C2T14090	C2T14090SR	C2T14090SLGR
1500mm x 700mm		C2T15070	C2T15070SR	C2T15070SLGR
1500mm x 800mm		C2T15080	C2T15080SR	C2T15080SLGR
1500mm x 900mm		C2T15090	C2T15090SR	C2T15090SLGR
1600mm x 700mm	C2T16070	C2T16070SR	C2T16070SLGR	
1600mm x 800mm	C2T16080	C2T16080SR	C2T16080SLGR	
1600mm x 900mm	C2T16090	C2T16090SR	C2T16090SLGR	
1700mm x 700mm	C2T17070	C2T17070SR	C2T17070SLGR	
1700mm x 800mm	C2T17080	C2T17080SR	C2T17080SLGR	
1700mm x 900mm	C2T17090	C2T17090SR	C2T17090SLGR	
900mm x 900mm Quadrant	QUADRANT	C2T90Q	C2T90QSR	C2T90QSLGR
1000mm x 1000mm Quadrant		C2TQ100	C2TQ100SR	C2TQ100SLGR
Offset Quadrant 900mm x 800mm†	OFFSET QUADRANT	C2TQ9080	C2TQ9080SR	C2TQ9080SLGR
Offset Quadrant 1000mm x 800mm†		C2TQ10080	C2TQ10080SR	C2TQ10080SLGR
Offset Quadrant 1000mm x 900mm†		C2TQ1090	C2TQ1090SR	C2TQ1090SLGR
Offset Quadrant 1200mm x 800mm†		C2TQ1280	C2TQ1280SR	C2TQ1280SLGR
Offset Quadrant 1200mm x 900mm†		C2TQ12090	C2TQ12090SR	C2TQ12090SLGR
Curved 910mm	CURVED	C2T91C	C2T91CSR	C2T91CSLGR
Offset Curved 1000mm x 810mm†		C2T10081C	C2T10081CSR	C2T10081CSLGR

**Product Specific Trays ††**

Curved 910mm	CURVED	C2T91C	C2T91CSR	C2T91CSLGR
Offset Curved 1000mm x 810mm†		C2T10081C	C2T10081CSR	C2T10081CSLGR



† Please add **RH** or **LH** to the product code to indicate left or right handing.

†† Connect2 curved trays are product specific and are only suitable for use with Kudos Original6 enclosures.

# Kstone

## Shower trays

Manufactured in our own UK factories and covered by a lifetime guarantee, Kstone trays are made from the highest quality materials with a structural resin bonded stone filler to provide incredible stability.

Kstone shower trays are available in rectangular, square, quadrant and offset quadrant shapes - in a wide range of sizes.

### Features & Benefits:

- + Available in both High Gloss and SR Finish (slip and stain resistant)
- + Slim design at only 45mm high
- + Structured resin bonded stone filler for increased stability
- + Suitable for 90mm waste (supplied separately)
- + Extensive range of shapes and sizes available
- + Covered by the Kudos Lifetime Guarantee

### High Gloss Shower Trays

The high gloss acrylic capped ABS skin is durable as well as being resistant to impact damage and staining.

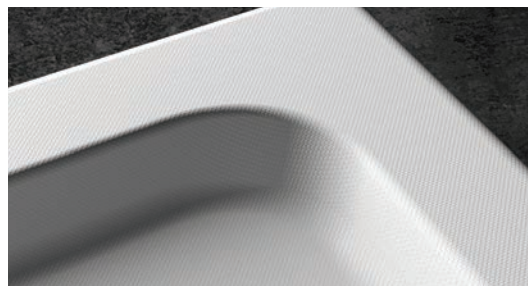
### Slip Resistant Shower Trays

Kstone SR Trays feature the latest development in surface material which exceeds all EU standards for barefoot bathing. The slip resistant properties are embedded in the material, rather than a coating on the surface, meaning it cannot be removed and is comfortable to stand on. The textured surface provides a high level of stain resistance ensuring that your tray maintains a pristine appearance throughout its lifetime.

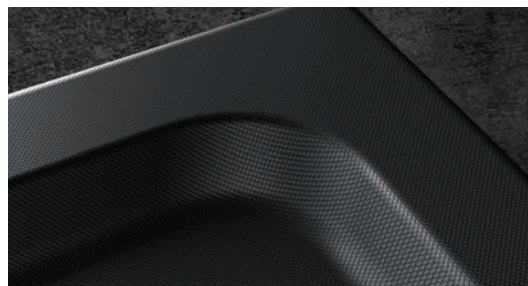
*Now available in either white or slate grey*



Kstone high gloss shower tray



Kstone SR white shower tray



SR slate grey shower tray



# Kstone

## Shower trays

### Codes & Dimensions

Size (Length x Width)	Waste Position	Standard High Gloss Product Code	SR (Slip Resistant)* Product Code
760mm x 760mm	SQUARE	KS76	KS76SR
800mm x 800mm		KS80	KS80SR
900mm x 900mm		KS90	KS90SR
1000mm x 1000mm		KS100	KS100SR
900mm x 700mm	RECTANGULAR	KS9070	KS9070SR
900mm x 760mm		KS9076	KS9076SR
900mm x 800mm		KS9080	KS9080SR
1000mm x 700mm		KS10070	KS10070SR
1000mm x 760mm		KS10076	KS10076SR
1000mm x 800mm		KS10080	KS10080SR
1000mm x 900mm		KS10090	KS10090SR
1100mm x 700mm		KS11070	KS11070SR
1100mm x 760mm		KS11076	KS11076SR
1100mm x 800mm		KS11080	KS11080SR
1100mm x 900mm		KS11090	KS11090SR
1200mm x 700mm		KS12070	KS12070SR
1200mm x 760mm		KS12076	KS12076SR
1200mm x 800mm		KS12080	KS12080SR
1200mm x 900mm		KS12090	KS12090SR
1400mm x 700mm		KS14070	KS14070SR
1400mm x 800mm		KS14080	KS14080SR
1400mm x 900mm		KS14090	KS14090SR

Size (Length x Width)	Waste Position	Standard High Gloss Product Code	SR (Slip Resistant)* Product Code
1500mm x 700mm	RECTANGULAR	KS15070	KS15070SR
1500mm x 800mm		KS15080	KS15080SR
1500mm x 900mm		KS15090	KS15090SR
1600mm x 700mm		KS16070	KS16070SR
1600mm x 800mm		KS16080	KS16080SR
1600mm x 900mm		KS16090	KS16090SR
1700mm x 700mm		KS17070	KS17070SR
1700mm x 800mm		KS17080	KS17080SR
1700mm x 900mm		KS17090	KS17090SR
800mm x 800mm		QUADRANT	KSQ80
900mm x 900mm	KSQ90		KSQ90SR
1000mm x 1000mm	KSQ100		KSQ100SR
900mm x 760mm	OFFSET QUADRANT**	KSQ9076	KSQ9076SR
900mm x 800mm		KSQ9080	KSQ9080SR
1000mm x 800mm		KSQ10080	KSQ10080SR
1000mm x 900mm		KSQ10090	KSQ10090SR
1200mm x 800mm		KSQ12080	KSQ12080SR
1200mm x 900mm		KSQ12090	KSQ12090SR

All Prices exclude waste

Note:

\*Please add **GR** to slip resistant codes to order SR Grey

\*\*Please add **LH** or **RH** to the product code to indicate left or right handing.

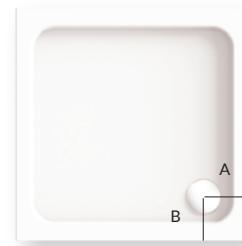
#### Shower Tray Wastes

Wastes	Silver/Chrome Product Code	Matt Black Product Code	White Product Code
90mm Shower Tray waste and trap	DWA90S	DWA90SMBK	DWA90SWH

# Kstone shower trays provide incredible stability

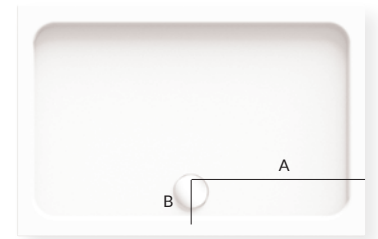
## Shower Tray Waste Locations

Corner Location, Square & Rectangular	A	B
900mm x 900mm	140mm	140mm
1000mm x 900mm	155mm	155mm
1100mm x 900mm	155mm	155mm
All Other Sizes	150mm	150mm

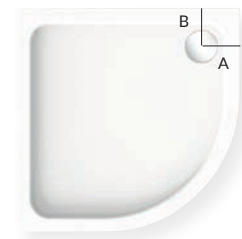


Corner Location, Rectangular	A	B
All Sizes	Centre Of Tray	160mm

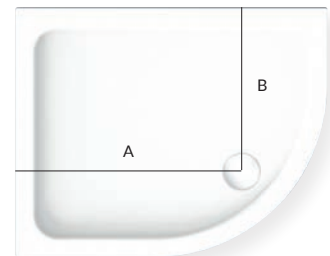
e.g. 1400mm x 800mm A = 700mm B = 160mm



Quadrant with corner waste location	A	B
800mm x 800mm Quadrant	150mm	150mm
1000mm x 1000mm Quadrant	135mm	135mm
900mm x 760mm Offset Quadrant	145mm	145mm
900mm x 800mm Offset Quadrant	145mm	145mm



Quadrant with centre waste location	A	B
900mm x 900mm Quadrant	645mm	645mm
1000mm x 800mm Offset Quadrant	732mm	532mm
1000mm x 900mm Offset Quadrant	732mm	632mm
1200mm x 800mm Offset Quadrant	925mm	525mm
1200mm x 900mm Offset Quadrant	935mm	625mm



# A universal method to raise your shower tray

## Creating a Fascia Panel

### Straight Edge (Square & Rectangular) Trays

A Fascia panel can be created using a moisture resistant material (not supplied) which can then be painted, tiled or alternatively covered with a Kudos Acrylic Decorative Fascia Cover to match the tray material.

### Quadrant, Curved & Bow Fronted Trays

Fascia panels for Full Curve or Bow Fronted trays require a flexible moisture resistant material such as marine plywood, which can either be painted, tiled with mosaics or covered with a Kudos Decorative Acrylic Fascia Cover to match the finish of the tray.

### Creating a Fascia Panel for Kudos Quadrant Trays

The shape of Quadrant trays require the Fascia board material to be manufactured with machined cuts to enable the plinth to follow the shape of the tray. Kudos Quadrant Fascia Board is pre-machined for this purpose.

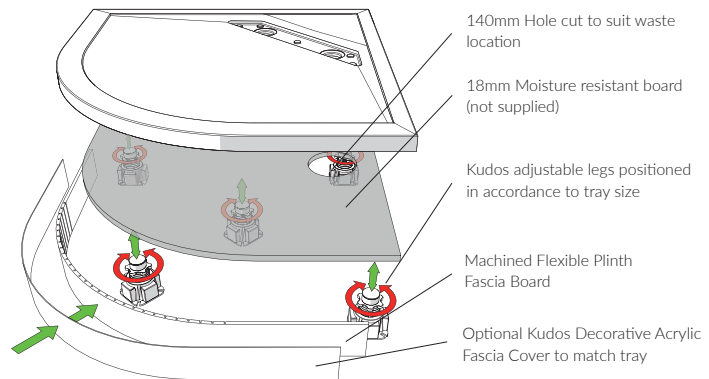
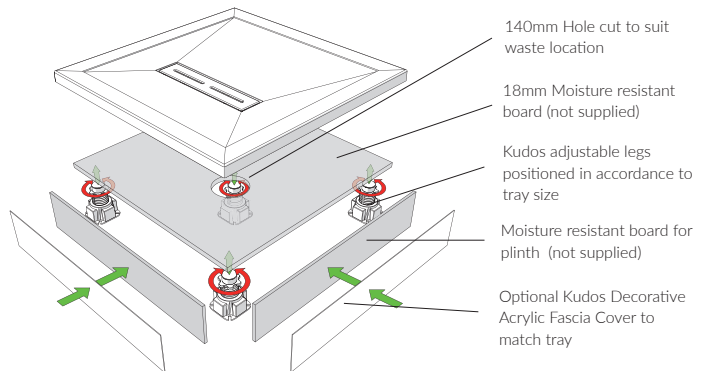
This can then be painted, tiled or covered with a Kudos Acrylic Decorative Fascia Cover.

### Fascia Covers

*Description	Product Code
Decorative Acrylic Fascia Cover 1200mm High Gloss Finish	168653
Decorative Acrylic Fascia Cover 1800mm High Gloss Finish	161491
Decorative Acrylic Fascia Cover 1200mm White SR Finish	163321
Decorative Acrylic Fascia Cover 1800mm White SR Finish	164758
Decorative Acrylic Fascia Cover 1200mm Slate Effect Finish	1686531
Decorative Acrylic Fascia Cover 1800mm Slate Effect Finish	1647581
Decorative Acrylic Fascia Cover 1200mm Grey SR Finish	1686532
Decorative Acrylic Fascia Cover 1800mm Grey SR Finish	1647582
Pre-machined cut flexible Plinth Fascia for Quadrant Trays	162136

\* All of the above are 150mm high

## Essential for Connect2 Trays



**Note:** In all cases the Acrylic Decorative Fascia Cover is not to be used without a suitable Fascia board. Sand and cement is still required between the tray and board, please refer to the instructions

## Shower Tray Leg Sets

All Kudos Shower Trays are designed to be fitted to either a wooden or concrete floor and should be fully supported. Leg height can be adjusted from min88mm to max 172mm..

### Description & Codes

Description	Product Code
Leg Set Pack of 5 for trays under 1200mm in length	165246
Leg set pack of 9 for quadrant and trays 1200mm and over	163872



## Kstone Plinth Kits

Kstone shower trays can be raised off the ground using our leg set and plinth kits.

Raising the tray can help to simplify the installation process as it provides easier access to the wastedrain and pipe. Please see installation instructions for a step by step guide



### Plinth Kits & Leg Sets

*Description	Product Code
Plinth & Leg Set (up to 1000mm)	KSPK100T
Plinth & Leg Set (1000mm - 1200mm)	KSPK120T
Plinth & Leg Set (1400mm - 1700mm)	KSPK170T
Plinth & Leg Set (Quadrant)	KSPQT

\* Leg packs include clips to mount the fascia to. Standard high gloss finish only



## FLEXI SEAL

for a perfect, watertight finish.

Flexi-Seal fits between the edge of the tray and any abutting wall. It provides a flexible seal behind the tiles or wall panels avoiding any issues caused by potential grout or silicone failure.

Flexi-Seal uses a combination of durable flexible rubber with a waterproof butyl based adhesive to give maximum protection where the shower tray meets the wall.

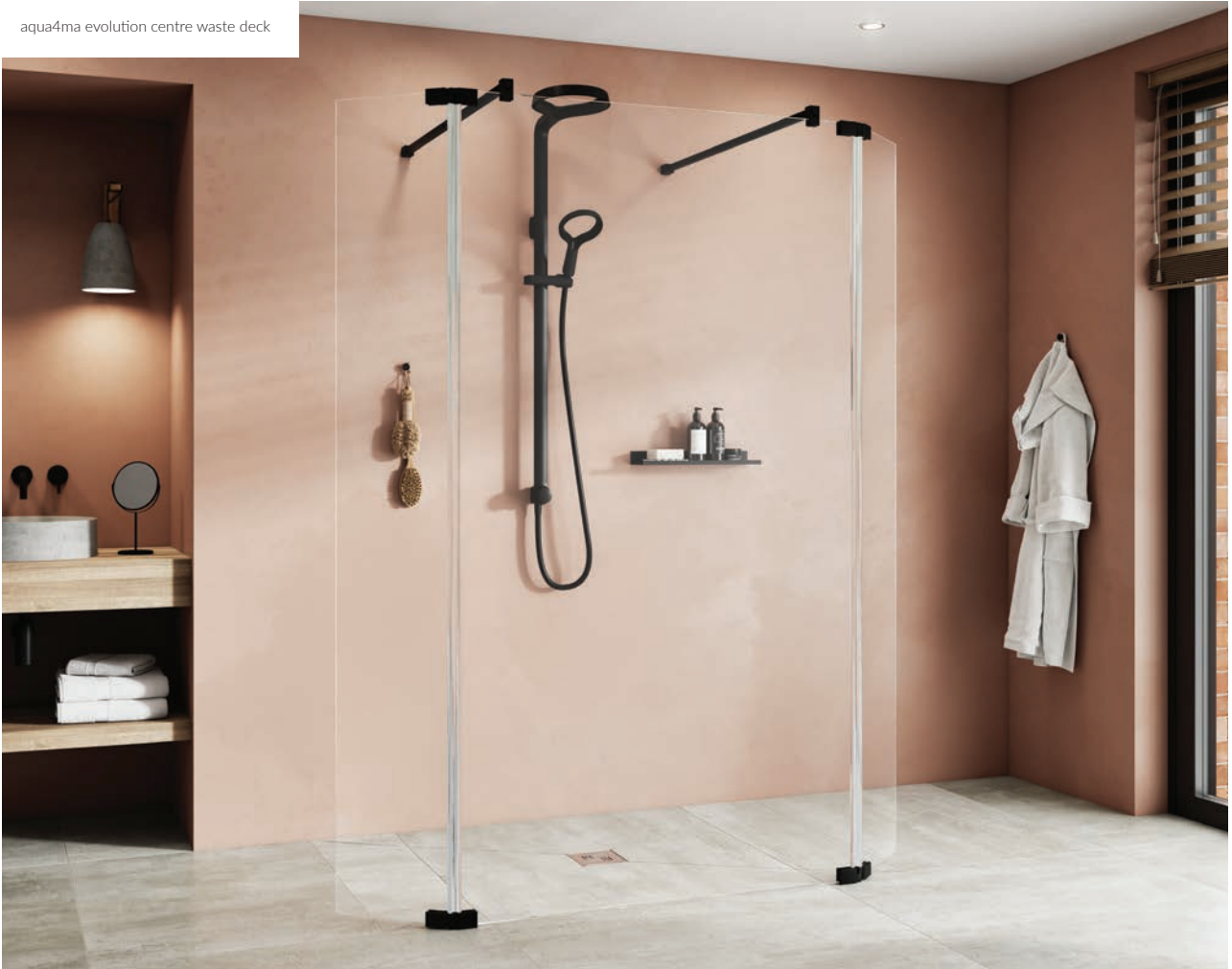
As the rubber is flexible, it will maintain a watertight seal whilst allowing for a certain amount of movement that is inevitable, particularly in new builds.



### Description & Codes

Description	Product Code
Flexi-Seal 2m	KFS2
Flexi-Seal 3m	KFS3
Flexi-Seal 4m	KFS4

aqua4ma evolution centre waste deck



aqua4ma evolution centre waste deck



# aqua4ma

## Shower decks and wet-room system

Practical and sophisticated, it's easy to understand why there has been an increase in the number of wet-room installations. Space enhancing and easy to clean, these spa-like bathrooms represent the ultimate in luxury.

Kudos showers have long led the way in simplifying the installation of wet-rooms, with the iconic aqua4ma system having been installed in 1000s of UK homes, the installation process has been further simplified with the introduction of the aqua4ma Evolution wet-room system.

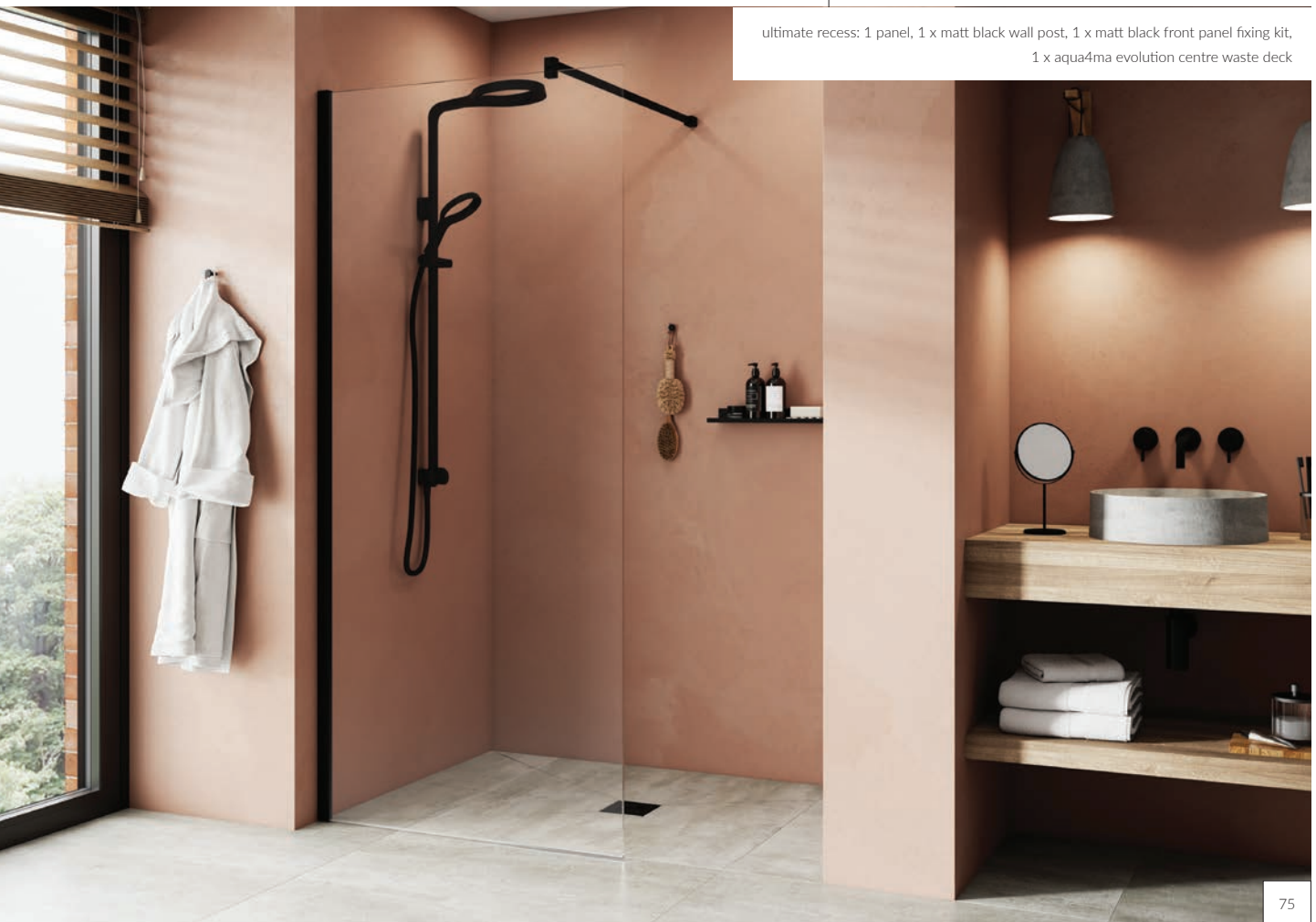
Versatile, reliable and backed by the Kudos lifetime guarantee, aqua4ma evolution and aqua4ma linear decks ensure that you will be able to find the wet-room foundation that is perfect for you.

### Features & Benefits

- + Quick and easy to install
- + Easily trimmed to fit or to avoid joist obstruction
- + Suitable for tiles, vinyl\* and micro-cement
- + Fit anywhere in the home on wooden or solid floors (see installation guide for full details)
- + Ready for tiling immediately with no wet trades required
- + Floor and wall panels for a total wet-room installation

\*Please order vinyl specific waste

ultimate recess: 1 panel, 1 x matt black wall post, 1 x matt black front panel fixing kit,  
1 x aqua4ma evolution centre waste deck



# aqua4ma

## Evolution shower decks

Versatile and easy to install, aqua4ma evolution has been developed to reflect the demand for lower-level, cost effective, wet-room solutions. Available in two style options, each featuring a 90mm waste, aqua4ma evolution can be installed anywhere in the house on wooden or solid floors and is guaranteed to be waterproof for life\*.

The perfect partner to the ultimate range of enclosures, aqua4ma evolution can be used in just the showering area or on all walls and floors to create a fully watertight wet-room and is ready to tile/ finish on the same day as installation – saving you both time and money.

### Features & Benefits:

- + Quick and easy to install
- + Easily trimmed to fit or to avoid joist obstruction
- + Overall depth of just 25mm
- + Suitable for tiles, vinyl and micro-cement
- + Fit anywhere in the home on wooden or solid floors
- + Can be fitted at joist level on wooden floors\*
- + Ready for tiling/finishing immediately
- + Use with aqua4ma floor and wall panels for a total wet-room solution
- + Lifetime Guarantee
- + British Made

\* Decks should be fully supported by creating a false floor between joists



### aqua4ma Evolution End Waste Shower Deck:

Measuring 1340 x 1000mm the aqua4ma Evolution End Waste Shower Deck can be easily trimmed from either (or both) sides or from either end that meets a wall.

#### End waste shower deck consists of:

- + 1340 x 1000mm Evolution Deck
- + Stainless steel waste support plate
- + 2 Side Levelling strips

#### Waste Assembly (order separately)

- + Tile thickness adjustment mouldings
- + Stainless steel waste grid (Polished Silver or Matt Black)
- + 90mm waste



### aqua4ma Evolution Centre Waste Shower Deck:

Available in 7 sizes the aqua4ma Evolution Centre Waste Shower Deck offers a versatile solution for any wet-room installation. Each deck can be trimmed from any side that meets a wall.

#### Centre waste shower deck consists of:

- + Evolution Deck
- + Stainless steel waste support plate

#### Waste Assembly (order separately)

- + Tile thickness adjustment mouldings
- + Stainless steel waste grid (Polished Silver or Matt Black)
- + 90mm waste

Please order vinyl specific waste

aqua4ma evolution end waste deck



aqua4ma evolution centre waste deck



# aqua4ma

## Linear shower decks

Versatile and easy to install, aqua4ma linear is an ultra low-level (just 19mm deep), cost effective, wet-room solution. Featuring a stylish tileable waste cover and a 90mm waste, aqua4ma linear can be installed anywhere in the house on wooden or solid floors and is guaranteed to be waterproof for life.

The perfect partner to the ultimate range of enclosures, aqua4ma linear can be used in just the showering area or on all walls and floors to create a fully watertight wet-room and is ready to finish on the same day as installation - saving you both time and money.

### Features & Benefits:

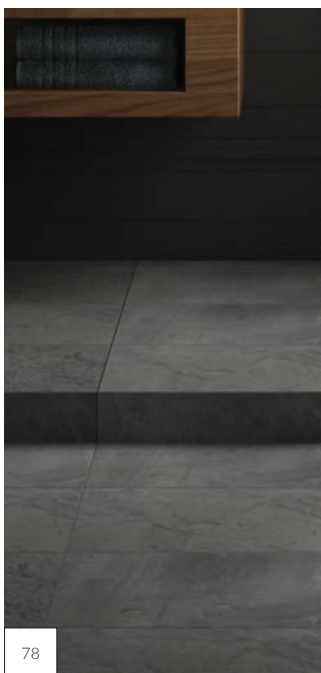
- + Quick and easy to install
- + Easily trimmed to fit or avoid joist obstruction
- + Overall depth of 19mm
- + For use with tiles
- + Fit anywhere in the home on wooden or solid floors
- + Ready for tiling/finishing straight away with no wet trades required
- + Use with aqua4ma floor and wall panels for a total wet-room solution
- + Lifetime guarantee

### Linear shower deck consists of:

- + 1330 x 1000mm shower deck
- + Stainless steel tray
- + 2 sided levelling strips
- + 1 tube of adhesive

### Waste Assembly (order separately):

- + 90mm waste for linear





# aqua4ma

## Panels

### Wall & Floor Panels

The aqua4ma range of wall and floor panels allow you to create a water tight space that meets your requirements. aqua4ma panels provide the versatility and peace of mind you're looking for.

aqua4ma panels are available in 4 thicknesses: 7mm, 15mm, 19mm (for use with aqua4ma linear only) and 25mm. With either 2 or 3



#### **aqua4ma 7mm panels**

Perfect for creating a fully waterproof floor, aqua4ma 7mm panels can be used (on top of plywood as necessary) to create level access by raising the floor to the same level as the deck ready for tiling. The 7mm panels can also be affixed to solid walls to create watertight walls.

#### **aqua4ma 15mm panels**

The 15mm tongue and grooved panels can be screwed directly to battens in place of plasterboard and, as the material self seals around screws, no washers or additional sealing is necessary. The above illustration shows how the 15mm panels can be used to box in pipe work as necessary too.

#### **aqua4ma 19mm panels**

For use with the aqua4ma linear decks, the 19mm panels can be used to create level access when using Aqua4ma linear. The panels are the same depth as the deck allowing you to extend the waterproof are quickly and easily, simply bond the joints with aqua4ma solvent weld for a fully watertight floor.

panels in a pack (with the exception of 25mm which are available in either singles or a 2 pack), the panels measure 1200 x 800mm providing a square metre of coverage. As with aqua4ma shower decks the shower panels are easily trimmable and can be fitted to either floor or walls using either screws or flexible tile adhesive as appropriate.



#### **aqua4ma 25mm panels**

For use with the aqua4ma evolution decks, the 25mm panels can be used to create level access when using aqua4ma evolution. The panels are the same depth as the deck allowing you to extend the waterproof are quickly and easily, simply bond the joints with aqua4ma solvent weld for a fully watertight floor.

You can use these 25mm panels to make a seat, for shelving, for boxing or any structure you wish to create! Simply solvent weld and screw the panels together and to the aqua4ma wall/ floor panels.



Scan the QR code for more information and watch the aqua4ma video



# Choosing what you need to create your perfect wet-room

## Product Codes

### Evolution Shower Decks

Centre Waste Decks	Product Code
1000mm x 900mm	WREV10090CW
1200mm x 900mm	WREV12090CW
1400mm x 900mm	WREV14090CW
1600mm x 900mm	WREV16090CW
1800mm x 900mm	WREV18090CW
2000mm x 900mm	WREV20090CW
1200mm x 1200mm	WREV120120CW

### aqua4ma Shower Panels

Panel Sizes	Product Code
1200 x 800 x 7mm Pack of 2 (1.92m <sup>2</sup> )	WRAQ72
1200 x 800 x 7mm Pack of 3 (2.88m <sup>2</sup> )	WRAQ73
1200 x 800 x 15mm Pack of 2 (1.92m <sup>2</sup> )	WRAQ152
1200 x 800 x 15mm Pack of 3 (2.88m <sup>2</sup> )	WRAQ153
1200 x 800 x 25mm Pack of 1 (0.96m <sup>2</sup> )	WRAQ251
1200 x 800 x 25mm Pack of 2 (1.92m <sup>2</sup> )	WRAQ252

### Evolution Shower Deck

End Waste Deck	Product Code
1340mm x 1000mm	WREV134100EW

### Evolution Wastes

Wastes*	Product Code
Tiled Waste (Polished Stainless Steel)	WRWAE
Tiled Waste (Matt Black)	WRWAEMBK
Vinyl Waste (Polished Stainless Steel)	WRVWE
Vinyl Waste (White)	WRVWAEWH

\*aqua4ma Waste is required

### aqua4ma Skirting<sup>†</sup>

Skirting	Product Code
1200mm x 75mm (Pack of 4)	WRAQSK134

<sup>†</sup>For a perfect, watertight, installation Aqua4ma skirting or wall panels should be fitted wherever Aqua4ma decks or floor panels meet a wall

### Linear Shower Deck

Deck Sizes	Product Code
1330 x 1000 Linear Shower Deck Kit	WRL133100

### Linear Waste

Wastes*	Product Code
Waste For Linear	WRWAL

\*aqua4ma Waste is required

### Linear Shower Panels

Panel Packs	Product Code
1200 x 800 x 19mm Pack of 2	WRAQ192
1200 x 800 x 19mm Pack of 3	WRAQ193

### Solvent Weld

aqua4ma Solvent Weld	Product Code
310ml Tube**	WRSW

\*\*Solvent weld paste will join approx. 10 linear metres per tube



# bespoke

## Showering solutions

Our extensive range of products cover a vast array of showering solutions with an unrivalled selection of over-bath screens, enclosures and shower panels.

However, on occasions a standard sized product just will not suit the situation, in which case our Bespoke Service may be able to help. Many products within the Kudos range can be tailor made to meet your requirements, whether it is a one-off special size shower door, a shaped panel to accommodate a sloping ceiling or a special design enclosure or bath screen for a housing development or hotel.

Whilst not all products can be made to measure we will apply our knowledge and expertise to try and provide you with a solution that meets your needs.

Our bespoke design team can produce showering solutions that are tailor made to your requirements.



# A flexible, innovative, approach to over-bath showering.

---

## Signature *by* KUDOS

Made to measure bespoke shower enclosures built by our expert engineers to your specifications

If you're converting loft space, a small room with sloping or low ceilings or simply looking for something a little bit different, then our bespoke service 'Signature by Kudos' may be what you're looking for.

A number of products within the Kudos collection can be tailor made to meet your requirements, available in either chrome or matt black finishes with a number of glass options, our team of experts will work with you to try and provide you with a solution that meets your requirements.

---

### \*Glass Colour Options



Satin Frosted



Bronze Tint



Smoke Grey

\*Despite every effort to provide accurate images of each product's colour and design, actual colours and design may vary slightly.

### How it works...

#### Step 1:

Contact your Kudos Retailer who will send us a rough drawing of what you're trying to achieve and/or the space available, we will let you know if we are able make something suitable and provide you with a guide price.

#### Step 2:

If you wish to proceed further we will require accurate drawings of the space available, for a small cost we can offer a measuring service, alternatively you can provide your own measurements.

#### Step 3:

Once final measurements have been received we will provide an engineering drawing, a final price and an estimated delivery date.

#### Step 4:

The next stage is for you to sign off the drawings, at this stage a deposit, payable to your chosen Kudos retailer, will be required.

#### Step 5:

Once your product is ready we will arrange for delivery and if you have opted for the supply and fit option our engineer will schedule an installation date.





**Kudos Shower Products Ltd**  
Elmsfield Park, Holme  
Cumbria LA6 1RJ  
United Kingdom

Telephone: +44 (0)1539 564040

Fax: +44 (0)1539 564141

Email: [sales@kudosshowers.co.uk](mailto:sales@kudosshowers.co.uk)

[www.kudosshowers.co.uk](http://www.kudosshowers.co.uk)

Version: 1.0 - 02/2024



KUDOS  
SHOWERING SOLUTIONS

---

P R E M I U M  
COLLECTION







PREMIUM COLLECTION

# K KUDOS

## Design and functionality in harmony

The perfect combination of modern, yet sophisticated shower enclosures, the Kudos Premium Collection showcases our most luxurious enclosures.

Whether you're looking for understated elegance or want to make a statement, we have something that will suit every bathroom.

Available to purchase only from the network of Kudos Premium Collection Retailers, the Premium Collection includes the iconic pinnacle8 and the Red Dot Design award winning ultimate10 shower enclosures.





1000mm x 1000mm quadrant enclosure.

PREMIUM COLLECTION

# pinnacle8

collection

---

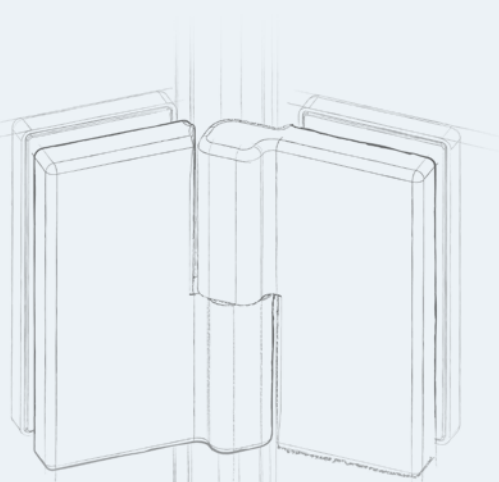
## The difference is in the detail

The pinnacle8 range of enclosures represents new heights in shower enclosure design, with selected products now available in a stunning matt black finish, combining our iconic design with timeless elegance.

Characterised by a minimalist cut out finger pull and easy fit wall posts with concealed fixings and featuring crystal clear seals, 8mm toughened safety glass throughout and treated with Lifeshield™ protective coating for easy cleaning.

The pinnacle8 collection features hinged, sliding and centre-fold, quadrant and level access options so there is sure to be a solution to suit you. These stylish minimalist doors are both easy to install and stunning to look at.

All products are 2000mm high and covered by a lifetime guarantee against material or manufacturing defects for your complete peace of mind.



*Rise & fall hinge*

PREMIUM COLLECTION

# pinnacle8

hinged corner doors

---

The pinnacle8 hinged door is available in either chrome or matt black and in sizes ranging from 760mm to 1500mm. Featuring stylish rise and fall hinges, minimalist design with crystal clear seals, pinnacle8 will enhance any bathroom design.

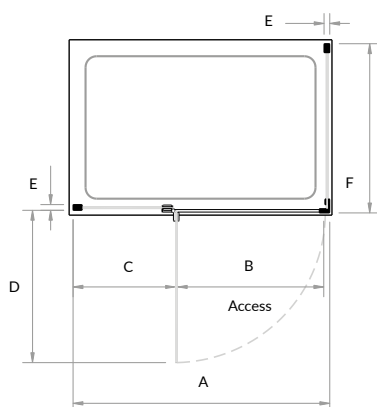
Matt black hinged corner, left handed, on a slate effect connect2 tray.



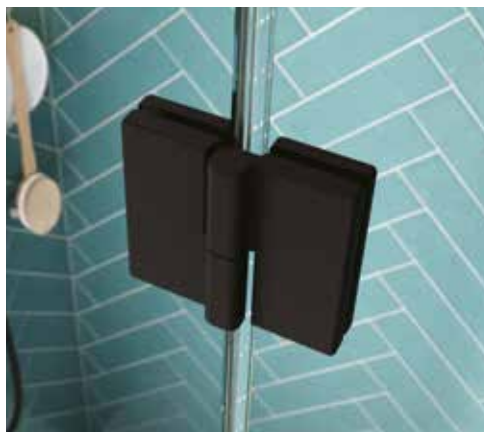
### Features

- + 8mm toughened safety glass
- + 2000mm high
- + Concealed fixings
- + Slimline profile with 20mm wall adjustment
- + Lifeshield™ Glass Protection
- + Crystal clear glass to glass seals
- + Die cast rise and fall hinges
- + Frameless side panels
- + Crystal clear corner seals

### Layout



Hinged corner doors are supplied left hand or right hand



Matt black rise and fall hinge

### Codes & Dimensions §

Door Size	***Product Code	Dimensions (mm)					
		A	B	C	D	E	F
760mm	P8HC76	730-750	530	168-188	555	26	-
800mm	P8HC80	770-790	570	168-188	595	26	-
900mm	P8HC90	870-890	670	168-188	695	26	-
1000mm	P8HC100	970-990	670	268-288	695	26	-
1100mm	P8HC110	1070-1190	670	368-388	695	26	-
1200mm	P8HC120	1170-1190	670	468-488	695	26	-
1300mm	P8HC130	1270-1290	670	568-588	695	26	-
1400mm	P8HC140	1370-1390	670	668-688	695	26	-
1500mm	P8HC150	1470-1490	670	768-788	695	26	-

#### Side Panels

700 mm	P8HC2SP70	-	-	-	-	26	670-690
760 mm	P8HC2SP76	-	-	-	-	26	730-750
800 mm	P8HC2SP80	-	-	-	-	26	770-790
900 mm	P8HC2SP90	-	-	-	-	26	870-890
1000 mm	P8HC2SP100	-	-	-	-	26	970-990
1200 mm	P8HC2SP120	-	-	-	-	26	1170-1190

\*\*\*Please add **L or R** to the product code to indicate left or right handed door.  
When ordering matt black please add **MBK** to product codes

§ **N.B** Hinged Doors for Recess and Corner are not interchangeable

### Optional Items

Product	***Product Code
*Angled Stabilising Bracket for Doors (1000 & 1100mm)	P8SB22
*Angled Stabilising Bracket for Doors 1200mm+	P8SB32
**Retro Fit Handle	P8RH
† 10mm Extension Post	P8SOS

\* An optional angled stabilising bracket is available for larger doors if additional stability is required.

\*\*An optional handle is available if required.

Both angled bracket and handle can be retro fitted and only need to be purchased if preferred.

† All doors and side panels can be extended in 10mm increments with an extension post (to a maximum of 20mm/ 2 posts per fixed panel side only)

PREMIUM COLLECTION

# pinnacle8

hinged recess doors

---

The pinnacle8 hinged door is available in either chrome or matt black and in sizes ranging from 760mm to 1500mm. Featuring stylish rise and fall hinges, minimalist design with crystal clear seals, pinnacle8 will enhance any bathroom design.

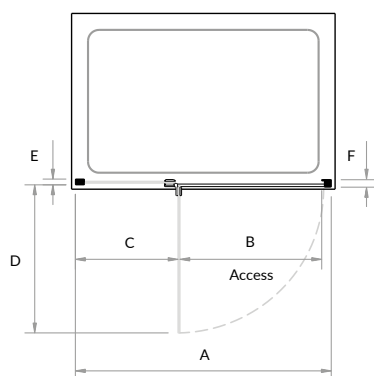
Chrome recess right hand hinged door on a connect2 tray.



### Features

- + 8mm toughened safety glass
- + 2000mm high
- + Concealed fixings
- + Slimline profile with 20mm wall adjustment
- + Lifeshield™ Glass Protection
- + Crystal clear glass to glass seals
- + Die cast rise and fall hinges
- + Crystal clear corner seals

### Layout



Hinged recess doors are supplied left hand or right hand



Retro fit handle

### Codes & Dimensions §

Door Size	***Product Code	Dimensions (mm)					
		A	B	C	D	E	F
760mm	P8HR76	725-765	505	168-188	534	26	34
800mm	P8HR80	765-805	545	168-188	574	26	34
900mm	P8HR90	865-905	645	168-188	674	26	34
1000mm	P8HR100	965-1005	645	268-288	674	26	34
1100mm	P8HR110	1065-1105	645	368-388	674	26	34
1200mm	P8HR120	1165-1205	645	468-488	674	26	34
1300mm	P8HR130	1265-1305	645	568-588	674	26	34
1400mm	P8HR140	1365-1405	645	668-688	674	26	34
1500mm	P8HR150	1465-1505	645	768-788	674	26	34

\*\*\*Please add **L or R** to the product code to indicate left or right handed door.

When ordering matt black please add **MBK** to product codes

§ **N.B** Hinged Doors for Recess and Corner are not interchangeable

### Optional Items

Product	***Product Code
*Angled Stabilising Bracket for Doors (1000 & 1100mm)	P8SB22
*Angled Stabilising Bracket for Doors 1200mm+	P8SB32
**Retro Fit Handle	P8RH
† 10mm Extension Post	P8SOS

\* An optional angled stabilising bracket is available for larger doors if additional stability is required.

\*\*An optional handle is available if required.

Both angled bracket and handle can be retro fitted and only need to be purchased if preferred.

† All doors and side panels can be extended in 10mm increments with an extension post (to a maximum of 20mm/ 2 posts per fixed panel side only)

PREMIUM COLLECTION

# pinnacle8

straight sliding corner doors

---

Available in chrome and matt black the pinnacle8 sliding corner door is available in sizes ranging from 1000mm-1800mm, with side panels ranging from 700mm to 1200mm perfect for the medium to large showering space. Semi-frameless with crystal clear seals these minimalist doors give an illusion of endless space.

1200mm corner straight sliding door

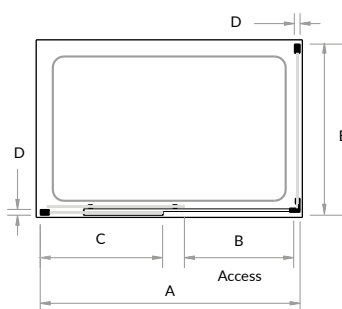




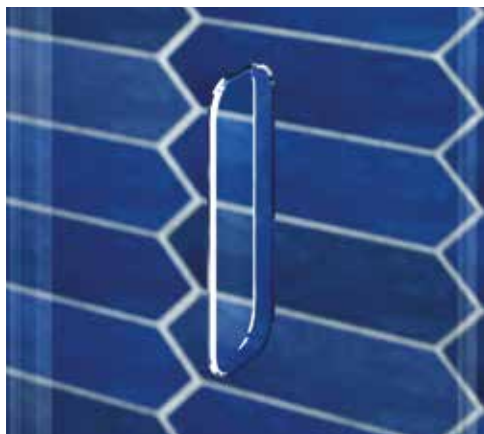
### Features

- + 8mm toughened safety glass
- + 2000mm high
- + Concealed fixings
- + Slimline profile with 20mm wall adjustment
- + Lifeshield™ Glass Protection
- + Crystal clear glass to glass seals
- + Twin Rollers with stainless steel bearings
- + Crystal clear corner seals

### Layout



Straight sliding corner doors can be fitted to open either to the left or right by rotating the enclosure 180°



Minimalist finger pull

### Codes & Dimensions §

Door Size	***Product Code	Dimensions (mm)				
		A	B	C	D	E
1000mm	P8SC100	970-990	400	452-472	26	-
1100mm	P8SC110	1070-1090	400	552-572	26	-
1200mm	P8SC120	1170-1190	500	552-572	26	-
1400mm	P8SC140	1370-1390	600	652-672	26	-
1500mm	P8SC150	1470-1490	600	752-772	26	-
1600mm	P8SC160	1570-1590	600	852-872	26	-
1700mm	P8SC170	1670-1690	600	952-972	26	-
1800mm	P8SC180	1770-1790	600	1052-1072	26	-

#### Side Panels

700mm	P8SC2SP70	-	-	-	26	670-690
760mm	P8SC2SP76	-	-	-	26	730-750
800mm	P8SC2SP80	-	-	-	26	770-790
900mm	P8SC2SP90	-	-	-	26	870-890
1000mm	P8SC2SP100	-	-	-	26	970-990
1200mm	P8SC2SP120	-	-	-	26	1170-1190

\*\*\*When ordering matt black please add **MBK** to product codes

§ **N.B** Hinged Doors for Recess and Corner are not interchangeable

### Optional Items

Product	***Product Code
*Angled Stabilising Bracket for Doors (1000 & 1100mm)	P8SB22
*Angled Stabilising Bracket for Doors 1200mm+	P8SB32
**Retro Fit Handle	P8RH
† 10mm Extension Post	P8SOS

\* An optional angled stabilising bracket is available for larger doors if additional stability is required.

\*\*An optional handle is available if required.

Both angled bracket and handle can be retro fitted and only need to be purchased if preferred.

† All doors and side panels can be extended in 10mm increments with an extension post (to a maximum of 20mm/ 2 posts per fixed panel side only)

PREMIUM COLLECTION

# pinnacle8

straight sliding recess doors

---

Available in chrome and matt black the pinnacle8 sliding recess door is available in sizes ranging from 1000mm-1800mm, with side panels ranging from 700mm to 1200mm perfect for the medium to large showering space. Semi-frameless with crystal clear seals these minimalist doors give an illusion of endless space.

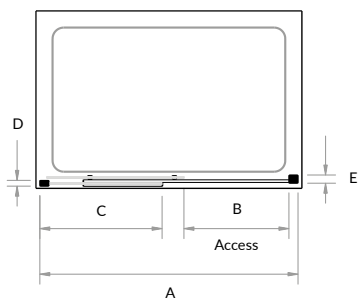
1200mm recess straight sliding door



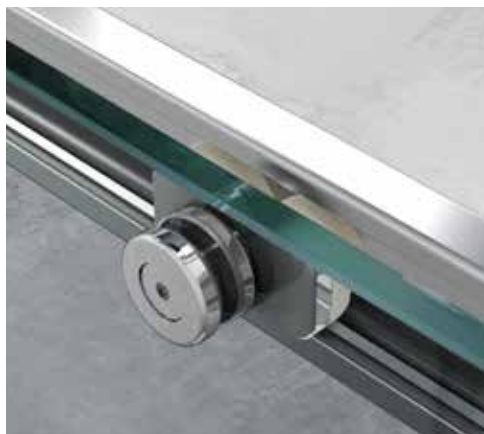
### Features

- + 8mm toughened safety glass
- + 2000mm high
- + Concealed fixings
- + Slimline profile with 20mm wall adjustment
- + Lifeshield™ Glass Protection
- + Crystal clear glass to glass seals
- + Twin Rollers with stainless steel bearings
- + Crystal clear corner seals

### Layout



Straight sliding corner doors can be fitted to open either to the left or right by rotating the enclosure 180°



Door twin rollers

### Codes & Dimensions §

Door Size	***Product Code	Dimensions (mm)				
		A	B	C	D	E
1000mm	P8SR100	965-1005	375-395	452-472	26	37
1100mm	P8SR110	1065-1105	375-395	552-572	26	37
1200mm	P8SR120	1165-1205	475-495	552-572	26	37
1400mm	P8SR140	1365-1405	575-595	652-672	26	37
1500mm	P8SR150	1465-1505	575-595	752-772	26	37
1600mm	P8SR160	1565-1605	575-595	852-872	26	37
1700mm	P8SR170	1665-1705	575-595	952-972	26	37
1800mm	P8SR180	1765-1805	575-595	1052-1072	26	37

\*\*\*When ordering matt black please add **MBK** to product codes

§ **N.B** Sliding doors for Recess and Corner are not interchangeable

### Optional Items

Product	***Product Code
*Angled Stabilising Bracket for Doors (1000 & 1100mm)	P8SB22
*Angled Stabilising Bracket for Doors 1200mm+	P8SB32
**Retro Fit Handle	P8RH
† 10mm Extension Post	P8SOS

\* An optional angled stabilising bracket is available for larger doors if additional stability is required.

\*\*An optional handle is available if required.

Both angled bracket and handle can be retro fitted and only need to be purchased if preferred.

† All doors and side panels can be extended in 10mm increments with an extension post (to a maximum of 20mm/ 2 posts per fixed panel side only)

PREMIUM COLLECTION

# pinnacle**8**

centre folding doors

---

The space saving centre-folding door, available in sizes ranging from 800mm to 1000mm is just perfect for the small to medium showering space. With a hidden door mechanism, concealed magnets and crystal clear seals you have an uninterrupted glass door with a positive closing action.

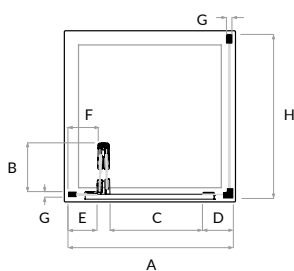
Corner centre folding enclosure



### Features

- + 8mm toughened safety glass
- + 2000mm high
- + Concealed fixings
- + Slimline profile with 20mm wall adjustment
- + Lifeshield™ Glass Protection
- + Crystal clear glass to glass seals
- + Twin Rollers with stainless steel bearings
- + Crystal clear corner seals

### Layout



All doors suitable for corner or recess fixing

### Codes & Dimensions

Door Size	Product Code	Adjustments (mm)		Dimensions (mm)					
		*RECESS	*CORNER	B	C	D	E	F	G
		A	A						
800mm	P8CF80	765-805	770-790	230	440	145	140	140	26
900mm	P8CF90	865-905	870-890	255	490	170	175	160	26
1000mm	P8CF100	965-1005	970-990	305	590	170	175	160	26

\*Recess Measurement (Door only). \*Corner Measurement (Door + 1 Panel).

### Side Panels

Door Size	Product Code	Product Code	
		G	H
800mm	P8CF2SP80	26	770-790
900mm	P8CF2SP90	26	870-890
1000mm	P8CF2SP100	26	970-990
1200mm	P8CF2SP120	26	1170-1190

### Optional Items

Product	Product Code
**Retro Fit Handle	P8RHCF
† 10mm Extension Post	P8SOS

\*\*An optional handle is available if required.

† All doors and side panels can be extended in 10mm increments with an extension post (to a maximum of 20mm/ 2 posts per fixed panel side only)



Concealed folding mechanism.

PREMIUM COLLECTION

# pinnacle8

quadrant doors

---

Surround yourself with a panoramic seamless expanse of glass.

The semi-frameless pinnacle8 Quadrant and Offset Quadrant features uninterrupted glass from wall to wall with its crystal clear seals and unique finger pull.

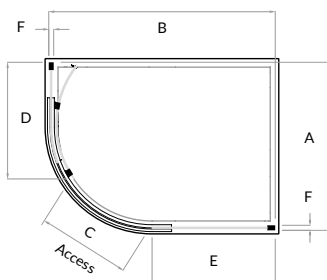
1200mm x 900mm Offset quadrant enclosure



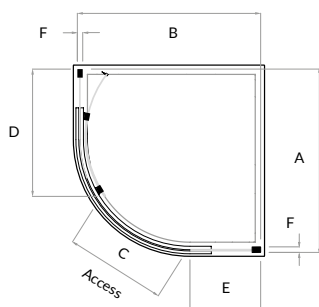
### Features

- + 8mm toughened safety glass
- + 2000mm high
- + Concealed fixings
- + Slimline profile with 20mm wall adjustment
- + Lifeshield™ Glass Protection
- + Crystal clear glass to glass seals
- + Twin Rollers with stainless steel bearings and dynamic adjustment
- + Semi-frameless panels
- + Die cast bottom guides

### Offset Quad Layout



### Quad Layout



Quadrant doors can be fitted either to open to the left or right



Twin rollers with stainless steel bearings

### Codes & Dimensions

Door Size	***Product Code	Adjustments (mm)		Dimensions (mm)			
		A	B	C	D	E	F
900 x 900mm	P8Q90	865-885	865-885	470	600-620	335-355	26
1000 x 1000mm	P8Q100	965-985	965-985	470	700-720	435-455	26
900 x 800mm	P8Q9080	865-885	765-785	470	600-620	235-255	26
1000 x 800mm	P8Q1080	965-985	765-785	470	700-720	235-255	26
1000 x 900mm	P8Q1090	965-985	865-885	470	600-620	435-455	26
1200 x 800mm	P8Q1280	765-785	1165-1185	470	900-920	235-255	26
1200 x 900mm	P8Q129	865-885	1165-1185	470	600-620	635-655	26

\*\*\*When ordering matt black please add **MBK** to product codes

### Optional Items

Product	***Product Code
*Angled Stabilising Bracket for Doors (1000 & 1100mm)	P8SB22
*Angled Stabilising Bracket for Doors 1200mm+	P8SB32
**Retro Fit Handle	P8RH
† 10mm Extension Post	P8SOS

\* An optional angled stabilising bracket is available for larger doors if additional stability is required.

\*\*An optional handle is available if required.

Both angled bracket and handle can be retro fitted and only need to be purchased if preferred.

† All doors and side panels can be extended in 10mm increments with an extension post (to a maximum of 20mm/ 2 posts per fixed panel side only)



Chrome right hand 1200mm corner sliding door.



PREMIUM COLLECTION

# pinnacle8

level access collection

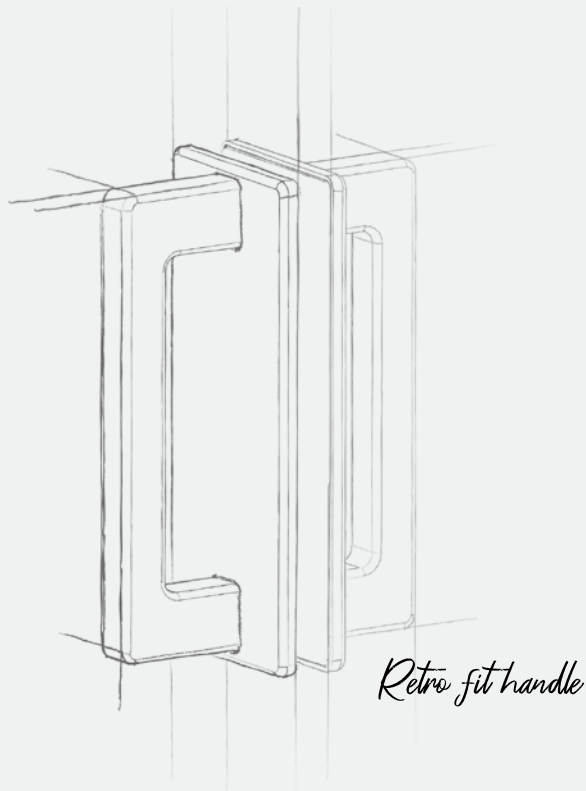
---

## A reputation for superb engineering

The stunning pinnacle8 level access enclosures are frameless and will maximise both space and light in any bathroom. Removing the frame from the enclosures provides the end user with level access to their showering space. Perfect for multi-generational households.

The level access range is available in hinged, sliding and hinged quadrant options and in chrome, matt black and brushed brass finishes.

All products are 2000mm high and feature 8mm toughened safety glass throughout and are treated with lifeshield protective coating for easy cleaning.



PREMIUM COLLECTION

# pinnacle8

level access hinged corner doors

---

The pinnacle8 level access hinged door is available in sizes ranging from 800mm to 1200mm with side panels from 700mm to 1200mm. Stylish rise and fall hinges, minimalist frameless design with crystal clear seals, pinnacle8 will enhance any bathroom design.

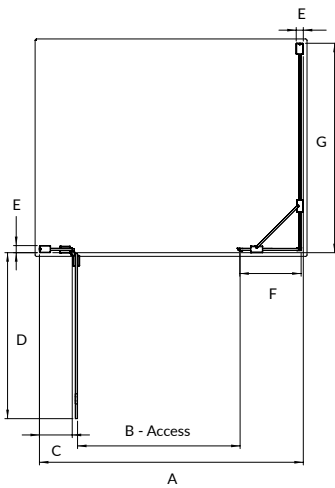
Level access right hand matt black hinged corner enclosure



## Features

- + 8mm toughened safety glass
- + 2000mm high
- + Level access
- + Slimline profile with 20mm wall adjustment
- + Lifeshield™ Glass Protection
- + Crystal clear glass to glass seals
- + Die cast rise and fall hinges
- + Frameless side panels
- + Crystal clear corner seals
- + Optional retro fit handle

## Layout



Hinged corner doors are supplied left hand or right hand



Minimalist finger pull

## Codes & Dimensions §

Door Size	***Product Code	Dimensions (mm)						
		A	B	C	D	E	F	G
800mm	P8FH80L	770-790	500	120-140	509	26	125	
800mm	P8FH80R	770-790	500	120-140	509	26	125	
900mm	P8FH90L	870-890	600	120-140	609	26	125	
900mm	P8FH90R	870-890	600	120-140	609	26	125	
1000mm	P8FH100L	970-990	600	120-140	609	26	225	
1000mm	P8FH100R	970-990	600	120-140	609	26	225	
1100mm	P8HF110L	1070-1100	600	120-140	609	26	325	
1100mm	P8HF110R	1070-1100	600	120-140	609	26	325	
1200mm	P8HF120L	1170-1190	600	120-140	609	26	425	
1200mm	P8HF120R	1170-1190	600	120-140	609	26	425	

### Side Panels

700 mm	P8FHSP70	-	-	-	-	26	-	670-690
760 mm	P8FHSP76	-	-	-	-	26	-	730-750
800 mm	P8FHSP80	-	-	-	-	26	-	770-790
900 mm	P8FHSP90	-	-	-	-	26	-	870-890
1000 mm	P8FHSP100	-	-	-	-	26	-	970-990
1200 mm	P8FHSP120	-	-	-	-	26	-	1170-1190

\*\*\* When ordering matt black add **MBK** and brushed brass please add **BRG** to the product codes

§ **N.B** Hinged Doors for Recess and Corner are interchangeable

## Optional Items

Product	***Product Code
**Retro Fit Handle	P8RH
*Angled Stabilising Bracket for Doors	P8SB32
† 10mm Extension Post	P8SOS

\* Angled stabilising bracket is required for additional stability for doors 1000mm and over.

\*\*An optional handle is available if required.

Both angled bracket and handle can be retro fitted and only need to be purchased if preferred.

† All doors and side panels can be extended in 10mm increments with an extension post (to a maximum of 20mm/ 2 posts per fixed panel side only)

\*\*\* When ordering matt black add **MBK** and brushed brass please add **BRG** to the product codes

PREMIUM COLLECTION

# pinnacle8

level access hinged recess doors

---

The pinnacle8 level access hinged door is available in sizes ranging from 800mm to 1200mm. Stylish rise and fall hinges, minimalist frameless design with crystal clear seals, pinnacle8 will enhance any bathroom design.

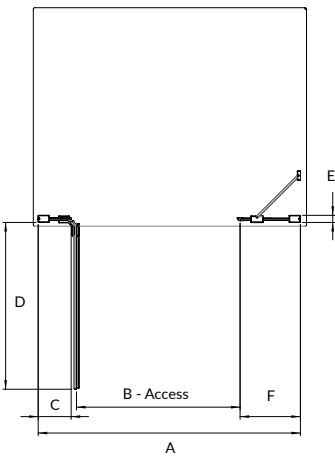
Chrome hinged recess, left handed, on a connect2 tray.



## Features

- + 8mm toughened safety glass
- + 2000mm high
- + Level access
- + Slimline profile with 20mm wall adjustment
- + Lifeshield™ Glass Protection
- + Crystal clear glass to glass seals
- + Die cast rise and fall hinges
- + Frameless side panels
- + Optional retro fit handle

## Layout



Hinged recess doors are supplied left hand or right hand



Die cast rise and fall hinge

## Codes & Dimensions §

Door Size	***Product Code	Dimensions (mm)						
		A	B	C	D	E	F	G
800mm	P8FH80L	770-790	500	120-140	509	26	125	
800mm	P8FH80R	770-790	500	120-140	509	26	125	
900mm	P8FH90L	870-890	600	120-140	609	26	125	
900mm	P8FH90R	870-890	600	120-140	609	26	125	
1000mm	P8FH100L	970-990	600	120-140	609	26	225	
1000mm	P8FH100R	970-990	600	120-140	609	26	225	
1100mm	P8HF110L	1070-1100	600	120-140	609	26	325	
1100mm	P8FH110R	1070-1100	600	120-140	609	26	325	
1200mm	P8HF120L	1170-1190	600	120-140	609	26	425	
1200mm	P8FH120R	1170-1190	600	120-140	609	26	425	

\*\*\* When ordering matt black add **MBK** and brushed brass please add **BRG** to the product codes

§ **N.B** Hinged Doors for Recess and Corner are interchangeable

## Optional Items

Product	***Product Code
**Retro Fit Handle	P8RH
*Angled Stabilising Bracket for Doors	P8SB32
† 10mm Extension Post	P8SOS

\* Angled stabilising bracket is required for additional stability for doors 1000mm and over.

\*\*An optional handle is available if required.

Both angled bracket and handle can be retro fitted and only need to be purchased if preferred.

† All doors and side panels can be extended in 10mm increments with an extension post (to a maximum of 20mm/ 2 posts per fixed panel side only)

\*\*\* When ordering matt black add **MBK** and brushed brass please add **BRG** to the product codes

PREMIUM COLLECTION

# pinnacle8

level access straight sliding corner doors

---

Featuring chrome, matt black or brushed brass finishes the pinnacle8 level access sliding door is available in sizes ranging from 1200mm - 1500mm, perfect for the medium to large showering space.

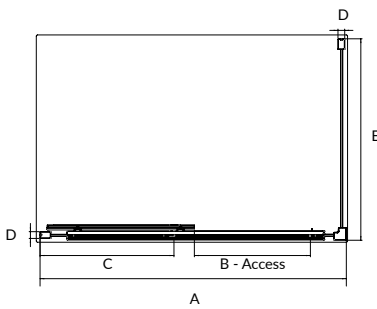
Chrome 1200mm right handed corner sliding door



## Features

- + 8mm toughened safety glass
- + 2000mm high
- + Concealed fixings
- + Level access
- + Slimline profile with 20mm wall adjustment
- + Lifeshield™ Glass Protection
- + Crystal clear glass to glass seals
- + Twin Rollers with stainless steel bearings
- + Crystal clear corner seals

## Layout



Level access sliding doors are supplied left or right handed



Crystal clear glass to glass corner seals

## Codes & Dimensions §

Door Size	***Product Code	Dimensions (mm)				
		A	B	C	D	E
1200mm	P8FS120	1180-1200	450	515	26	-
1300mm	P8FS130	1280-1300	450	615	26	-
1400mm	P8FS140	1380-1400	550	615	26	-
1500mm	P8FS150	1480-1500	550	715	26	-

### Side Panels

700mm	P8FPSP70	-	-	-	26	670-690
760mm	P8FPSP76	-	-	-	26	730-750
800mm	P8FPSP80	-	-	-	26	770-790
900mm	P8FPSP90	-	-	-	26	870-890
1000mm	P8FPSP100	-	-	-	26	970-990
1200mm	P8FPSP120	-	-	-	26	1170-1190

\*\*\*Please add **L** or **R** to the product code to indicate left or right handed door.

\*\*\* When ordering matt black add **MBK** and brushed brass please add **BRG** to the product codes

§ **N.B** Sliding Doors for Recess and Corner are interchangeable

## Optional Items

Product	***Product Code
**Retro Fit Handle	P8RH
*Angled Stabilising Bracket for Doors	P8SB32
† 10mm Extension Post	P8SOS

\* Angled stabilising bracket is required for additional stability.

\*\*An optional handle is available if required.

Both angled bracket and handle can be retro fitted and only need to be purchased if preferred.

† All doors and side panels can be extended in 10mm increments with an extension post (to a maximum of 20mm/ 2 posts per fixed panel side only)

\*\*\* When ordering matt black add **MBK** and brushed brass please add **BRG** to the product codes

PREMIUM COLLECTION

# pinnacle8

level access straight sliding recess doors

---

Featuring chrome, matt black or brushed brass finishes the pinnacle8 level access sliding door is available in sizes ranging from 1200mm - 1500mm, perfect for the medium to large showering space.

Brushed brass right hand 1200mm recess sliding door

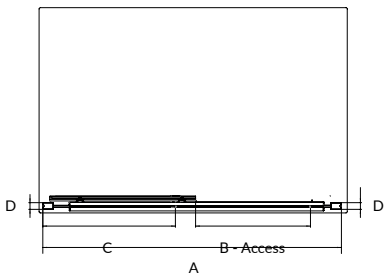




## Features

- + 8mm toughened safety glass
- + 2000mm high
- + Concealed fixings
- + Level access
- + Slimline profile with 20mm wall adjustment
- + Lifeshield™ Glass Protection
- + Crystal clear glass to glass seals
- + Twin Rollers with stainless steel bearings
- + Crystal clear corner seals

## Layout



Level access sliding doors are supplied left or right handed



Brushed brass retro fit handle

## Codes & Dimensions §

Door Size	***Product Code	Dimensions (mm)			
		A	B	C	D
1200mm	P8FS120	1165-1205	450	515	26
1300mm	P8FS130	1265-1305	450	615	26
1400mm	P8FS140	1365-1405	550	615	26
1500mm	P8FS150	1465-1505	550	715	26

\*\*\*Please add **L** or **R** to the product code to indicate left or right handed door.

\*\*\* When ordering matt black add **MBK** and brushed brass please add **BRG** to the product codes

§ **N.B** Sliding Doors for Recess and Corner are interchangeable

## Optional Items

Product	***Product Code
**Retro Fit Handle	P8RH
*Angled Stabilising Bracket for Doors	P8SB32
† 10mm Extension Post	P8SOS

\* Angled stabilising bracket is required for additional stability.

\*\*An optional handle is available if required.

Both angled bracket and handle can be retro fitted and only need to be purchased if preferred.

† All doors and side panels can be extended in 10mm increments with an extension post (to a maximum of 20mm/ 2 posts per fixed panel side only)

\*\*\* When ordering matt black add **MBK** and brushed brass please add **BRG** to the product codes

PREMIUM COLLECTION

# pinnacle8

level access quadrant doors

---

The pinnacle8 level access hinged quadrant and offset quadrant doors are simply stunning and will enhance any bathroom. Featuring stylish rise and fall hinges, these enclosures offer the perfect solution to those looking to future proof their bathroom space.

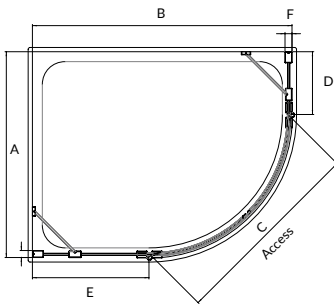
Level access offset quad on an aqua4ma linear deck.



## Features

- + 8mm toughened safety glass
- + 2000mm high
- + Concealed fixings
- + Level access
- + Slimline profile with 20mm wall adjustment
- + Lifeshield™ Glass Protection
- + Crystal clear glass to glass seals
- + Die cast rise and fall hinges

## Layout



## Codes & Dimensions §

Door Size	***Product Code	Adjustments (mm)		Dimensions (mm)			
		A	B	C	D	E	F
900 x 900mm	P8FHQ90	865-885	865-885	730	333	333	26
1000 x 1000mm	P8FHQ100	965-985	965-985	730	433	433	26
900 x 800mm (LH)	P8FHQ9080L	865-885	765-785	730	233	233	26
900 x 800mm (RH)	P8FHQ9080R	765-785	865-885	730	233	333	26
1000 x 800mm (LH)	P8FHQ1080L	965-985	765-785	730	333	233	26
1000 x 800mm (RH)	P8FHQ1080R	765-785	965-985	730	433	233	26
1000 x 900mm (LH)	P8FHQ1090L	965-985	865-885	730	233	433	26
1000 x 900mm (RH)	P8FHQ1090R	865-885	965-985	730	333	433	26
1200 x 800mm (LH)	P8FHQ1280L	1165-1185	765-785	730	633	233	26
1200 x 800mm (RH)	P8FHQ1280R	765-785	1165-1185	730	233	633	26
1200 x 900mm (LH)	P8FHQ129L	1165-1185	865-885	730	633	333	26
1200 x 900mm (RH)	P8FHQ129R	865-885	1165-1185	730	333	633	26

\*\*\* When ordering matt black add **MBK** and brushed brass please add **BRG** to the product codes

## Optional Items

Product	***Product Code
**Retro Fit Handle	P8RH
† 10mm Extension Post	P8SOS

\*\*An optional handle is available if required.

† All doors and side panels can be extended in 10mm increments with an extension post (to a maximum of 20mm/ 2 posts per fixed panel side only)

\*\*\* When ordering matt black add **MBK** and brushed brass please add **BRG** to the product codes



Chrome rise and fall hinge



Brushed brass off panel corner enclosure

PREMIUM COLLECTION

# ultimate10

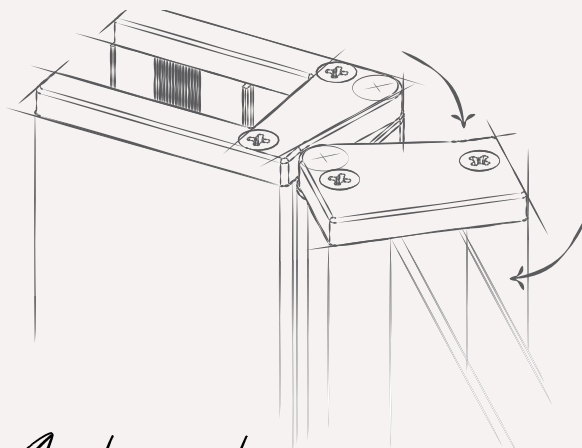
collection

## Award winning enclosures

The award winning ultimate10 enclosure is a revolution in both functionality and versatility. Designed with UK bathrooms in mind, this stunning enclosure features a double action hinge which allows the door to open 90 degrees both inward and outward, giving the bather the option to open the enclosure inwards and still be able to exit the shower enclosure whilst also being able to easily reach the towel from the integrated rail.

### Features

- + 10mm toughened safety glass
- + 1985mm tall (inc. fixings)
- + Award winning in/out hinge mechanism
- + Frameless design
- + Available in 9 colour finishes
- + Made in Britain
- + Lifetime guarantee
- + Integrated towel rail
- + Compatible with ultimate 10mm wet-room panels
- + Lifeshield Protection for easy cleaning
- + Can be installed either left or right handed



*Award winning hinge*





### Stylish integrated towel rail

A space saving, stylish, addition to your shower enclosure. The integrated towel rail is colour coded to match the enclosure.

---

### Award winning unique hinge

Our ultimate10 enclosure features a Red Dot Award winning double action hinge, this unique pivot mechanism allows the door to open both inwards and outwards.

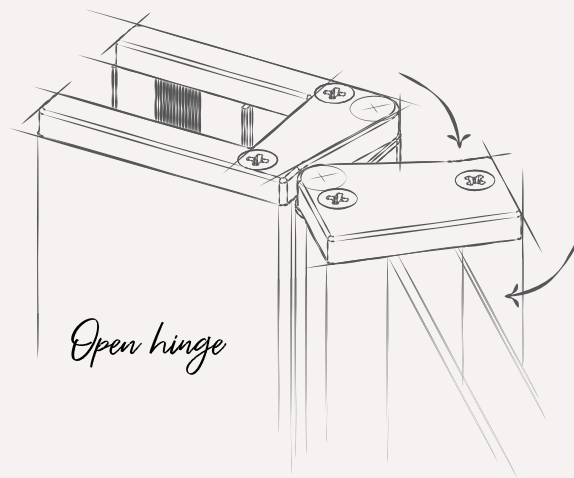
---



## Hinge mechanism

Our ultimate10 enclosure features a Red Dot Award winning double action hinge, this unique pivot mechanism allows the door to open both inwards and outwards.

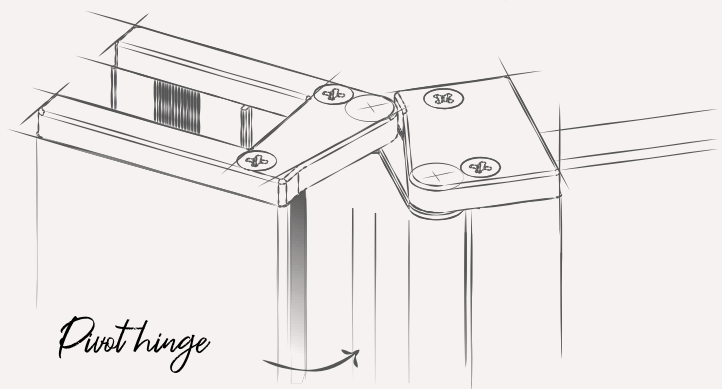
---



## Quadruple magnets

One pair of magnets will always be active, force applied to the door will release and then attract the magnet pairs.

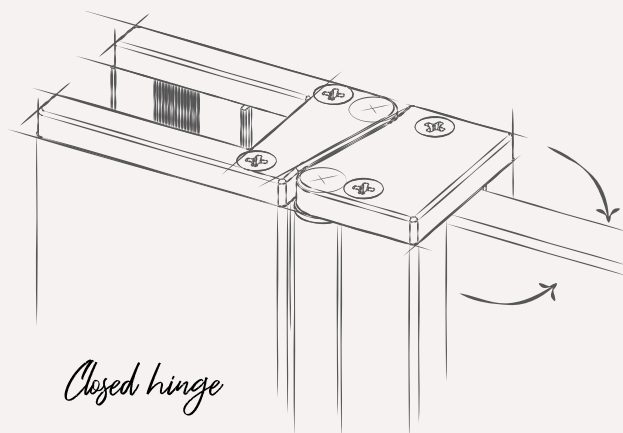
---



## Completely watertight

The overlapping aluminium profiles alongside the two pairs of active magnets within the mechanism means that water is unable to pass through.

---



PREMIUM COLLECTION

# ultimate10

off wall corner shower enclosures

Versatility is key, our unique system means that the ultimate10 door can be configured to pivot either directly from the wall post or from a glass panel and can be installed to fit either on a shower tray or wet-room floor.

The ultimate10 off wall corner door is available in two sizes, 600mm or 800mm, and can be used alongside ultimate 10mm wet room panels to create stunning enclosures.



Scan The QR Code  
To See The Configurations Guide

Chrome pivot off wall corner enclosure with front panel fixing kit.





## Features

- + 10mm toughened safety glass
- + 1985mm tall (inc. fixings)
- + Award winning in/out hinge mechanism
- + Frameless design
- + Available in 9 colour finishes
- + Made in Britain
- + Lifetime guarantee
- + Integrated towel rail
- + Compatible with ultimate 10mm wet-room panels
- + Lifeshield protection for easy cleaning
- + Can be installed either left or right handed

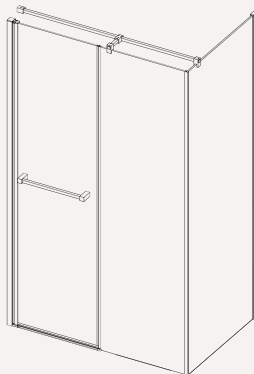
## Versatility is key

Our unique system means that the door can be configured to pivot either directly from the wall post or from a glass panel and can be installed to fit either on a shower tray or a wet room floor.

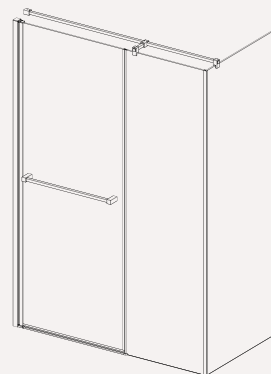


Brushed brass pivot off wall corner enclosure

## Recommended Configurations



Corner configuration (600mm Door)



Corner configuration (800mm Door)

## Door Options

Door Sizes	Chrome Product Code	Matt Black Product Code	Brushed Brass Product Code
600mm Off Wall Pivot Door	10PVW	10PVWMBK	10PVWBRG
800mm Off Wall Pivot Door	10PVW2	10PVW2MBK	10PVW2BRG

## Glass Panel Options

*Panel Sizes	Product Code	*Panel Sizes	Product Code
200mm Glass Panel	10WP200	800mm Glass Panel	10WP800
300mm Glass Panel	10WP300	900mm Glass Panel	10WP900
400mm Glass Panel	10WP400	1000mm Glass Panel	10WP1000
500mm Glass Panel	10WP500	1100mm Glass Panel	10WP1100
600mm Glass Panel	10WP600	1200mm Glass Panel	10WP1200
700mm Glass Panel	10WP700	1400mm Glass Panel	10WP1400
760mm Glass Panel	10WP760		

\*Sizes shown are nominal. All panels are undersized by 45mm to allow for tiling when fitting to shower trays.

## \*\*Stabilising Bars & Wall Posts

Product	Chrome Product Code	Matt Black Product Code	Brushed Brass Product Code
Front panel fixing kit (1000mm)	10WPFPFK	10WPFPFKMBK	10WPFPFKBRG
Front panel fixing kit (1500mm)	10WPFPFK150	10WPFPFK150MBK	10WPFPFK150BRG
Side panel fixing kit	10WPSPFK	10WPSPFKMBK	10WPSPFKBRG
Angled stabilising bar (300mm)	10WPGW30	10WPGW30MBK	10WPGW30BRG
Fixing Kit (2000mm)	10PVCFK	10PVCFKMBK	10PVCFKBRG
Wall post	10WPK	10WPKMBK	10WPKBRG

\*\*Please add the following codes to your product code when ordering a colour option:

Brushed Nickel (BRN), Polished Gold (PG), Polished Bronze (PB), Brushed Bronze (BRB), Gun Metal (GM) and White (WH). All are special order items, please allow 8 weeks

PREMIUM COLLECTION

# ultimate10

off wall recess shower enclosures

Versatility is key, our unique system means that the ultimate10 door can be configured to pivot either directly from the wall post or from a glass panel and can be installed to fit either on a shower tray or wet-room floor.

The ultimate10 off wall recess door is available in two sizes, 600mm or 800mm, and can be used alongside ultimate 10mm wet room panels to create stunning enclosures.



Scan The QR Code  
To See The Configurations Guide

Chrome pivot off panel recess enclosure with front panel fixing kit



## Features

- + 10mm toughened safety glass
- + 1985mm tall (inc. fixings)
- + Award winning in/out hinge mechanism
- + Frameless design
- + Available in 9 colour finishes
- + Made in Britain
- + Lifetime guarantee
- + Integrated towel rail
- + Compatible with ultimate 10mm wet-room panels
- + Lifeshield Protection for easy cleaning
- + Can be installed either left or right handed

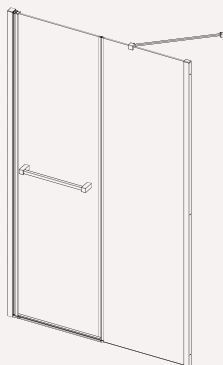
## The bathroom of your dreams

Create the bathroom of your dreams, the ultimate10 enclosure is available in 9 colour finishes and can be configured to suit the space you have available.

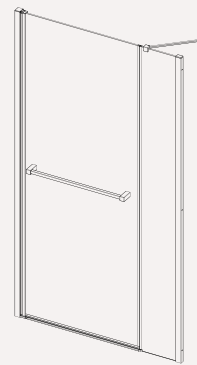


Chrome wall to glass fixing kit

## Recommended Configurations



Recess configuration (600mm Door)



Recess configuration (800mm Door)

## Door Options

Door Sizes	Chrome Product Code	Matt Black Product Code	Brushed Brass Product Code
600mm Off Wall Pivot Door	10PVW	10PVWMBK	10PVWBRG
800mm Off Wall Pivot Door	10PVW2	10PVW2MBK	10PVW2BRG

## Glass Panel Options

*Panel Sizes	Product Code	*Panel Sizes	Product Code
200mm Glass Panel	10WP200	800mm Glass Panel	10WP800
300mm Glass Panel	10WP300	900mm Glass Panel	10WP900
400mm Glass Panel	10WP400	1000mm Glass Panel	10WP1000
500mm Glass Panel	10WP500	1100mm Glass Panel	10WP1100
600mm Glass Panel	10WP600	1200mm Glass Panel	10WP1200
700mm Glass Panel	10WP700	1400mm Glass Panel	10WP1400
760mm Glass Panel	10WP760		

\*Sizes shown are nominal. All panels are undersized by 45mm to allow for tiling when fitting to shower trays.

## \*\*Stabilising Bars & Wall Posts

Product	Chrome Product Code	Matt Black Product Code	Brushed Brass Product Code
Front panel fixing kit (1000mm)	10WPFPFK	10WPFPFKMBK	10WPFPFKBRG
Front panel fixing kit (1500mm)	10WPFPFK150	10WPFPFK150MBK	10WPFPFK150BRG
Side panel fixing kit	10WSPPFK	10WSPPFKMBK	10WSPPFKBRG
Angled stabilising bar (300mm)	10WPGW30	10WPGW30MBK	10WPGW30BRG
Wall post	10WPK	10WPKMBK	10WPKBRG

\*\*Please add the following codes to your product code when ordering a colour option:

Brushed Nickel (BRN), Polished Gold (PG), Polished Bronze (PB), Brushed Bronze (BRB), Gun Metal (GM) and White (WH). All are special order items, please allow 8 weeks

PREMIUM COLLECTION

# ultimate10

## off panel corner shower enclosures

---

The Red Dot award winning ultimate10 door is designed to be able to hinge directly from a glass panel (as well as a wall post), This stunning 600mm door is available in a number of colour finishes and can be used to create either a recess or corner enclosure to meet your requirements.



Scan The QR Code  
To See The Configurations Guide

Matt black pivot off panel corner enclosure



## Features

- + 10mm toughened safety glass
- + 1985mm tall (inc. fixings)
- + Award winning in/out hinge mechanism
- + Frameless design
- + Available in 9 colour finishes
- + Made in Britain
- + Lifetime guarantee
- + Integrated towel rail
- + Compatible with ultimate 10mm wet-room panels
- + Lifeshield Protection for easy cleaning
- + Can be installed either left or right handed

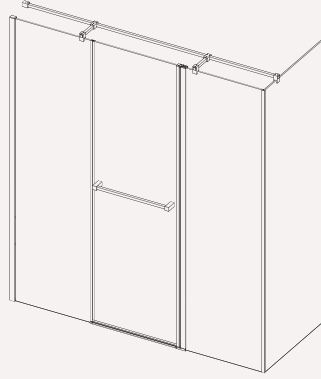
## Versatility is key

Our unique system means that the door can be configured to pivot either directly from the wall post or from a glass panel and can be installed to fit either on a shower tray or a wet room floor.



Matt black pivot off panel corner enclosure

## Recommended Configurations



Corner configuration (600mm Door)

## Door Options

Door Sizes	Chrome Product Code	Matt Black Product Code	Brushed Brass Product Code
600mm Off Panel Pivot Door	10PVP	10PVPMBK	10PVPBRG

## Glass Panel Options

*Panel Sizes	Product Code	*Panel Sizes	Product Code
200mm Glass Panel	10WP200	800mm Glass Panel	10WP800
300mm Glass Panel	10WP300	900mm Glass Panel	10WP900
400mm Glass Panel	10WP400	1000mm Glass Panel	10WP1000
500mm Glass Panel	10WP500	1100mm Glass Panel	10WP1100
600mm Glass Panel	10WP600	1200mm Glass Panel	10WP1200
700mm Glass Panel	10WP700	1400mm Glass Panel	10WP1400
760mm Glass Panel	10WP760		

\*Sizes shown are nominal. All panels are undersized by 45mm to allow for tiling when fitting to shower trays.

## \*\*Stabilising Bars & Wall Posts

Product	Chrome Product Code	Matt Black Product Code	Brushed Brass Product Code
Front panel fixing kit (1000mm)	10WPFPFK	10WPFPFKMBK	10WPFPFKBRG
Front panel fixing kit (1500mm)	10WPFPFK150	10WPFPFK150MBK	10WPFPFK150BRG
Side panel fixing kit	10WSPPFK	10WSPPFKMBK	10WSPPFKBRG
Fixing Kit (2000mm)	10PVCFK	10PVCFKMBK	10PVCFKBRG
Wall post	10WPK	10WPKMBK	10WPKBRG

\*\*Please add the following codes to your product code when ordering a colour option:

Brushed Nickel (BRN), Polished Gold (PG), Polished Bronze (PB), Brushed Bronze (BRB), Gun Metal (GM) and White (WH). All are special order items, please allow 8 weeks

PREMIUM COLLECTION

# ultimate10

off panel recess shower enclosures

---

The Red Dot award winning ultimate10 door is designed to be able to hinge directly from a glass panel (as well as a wall post), This stunning 600mm door is available in a number of colour finishes and can be used to create either a recess or corner enclosure to meet your requirements.



Scan The QR Code  
To See The Configurations Guide

Matt black pivot off panel recess enclosure



## Features

- + 10mm toughened safety glass
- + 1985mm tall (inc. fixings)
- + Award winning in/out hinge mechanism
- + Frameless design
- + Available in 9 colour finishes
- + Made in Britain
- + Lifetime guarantee
- + Integrated towel rail
- + Compatible with ultimate 10mm wet-room panels
- + Lifeshield Protection for easy cleaning
- + Can be installed either left or right handed

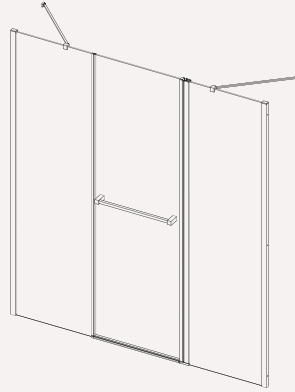
## A complete design lead approach

Fully frameless design and slim aluminium profiles come together to form a clean, contemporary shower enclosure collection that suits all environments.



Matt black angled fixing kit

## Recommended Configurations



Recess configuration (600mm Door)

## Door Options

Door Sizes	Chrome Product Code	Matt Black Product Code	Brushed Brass Product Code
600mm Off Panel Pivot Door	10PVPR	10PVPRMBK	10PVPRBRG

## Glass Panel Options

*Panel Sizes	Product Code	*Panel Sizes	Product Code
200mm Glass Panel	10WP200	800mm Glass Panel	10WP800
300mm Glass Panel	10WP300	900mm Glass Panel	10WP900
400mm Glass Panel	10WP400	1000mm Glass Panel	10WP1000
500mm Glass Panel	10WP500	1100mm Glass Panel	10WP1100
600mm Glass Panel	10WP600	1200mm Glass Panel	10WP1200
700mm Glass Panel	10WP700	1400mm Glass Panel	10WP1400
760mm Glass Panel	10WP760		

\*Sizes shown are nominal. All panels are undersized by 45mm to allow for tiling when fitting to shower trays.

## \*\*Stabilising Bars & Wall Posts

Product	Chrome Product Code	Matt Black Product Code	Brushed Brass Product Code
Front panel fixing kit (1000mm)	10WPFPFK	10WPFPFKMBK	10WPFPFKBRG
Front panel fixing kit (1500mm)	10WPFPFK150	10WPFPFK150MBK	10WPFPFK150BRG
Side panel fixing kit	10WSPPFK	10WSPPFKMBK	10WSPPFKBRG
Angled stabilising bar (500mm)	10WPGW50	10WPGW50MBK	10WPGW50BRG
Wall post	10WPK	10WPKMBK	10WPKBRG

\*\*Please add the following codes to your product code when ordering a colour option:

Brushed Nickel (BRN), Polished Gold (PG), Polished Bronze (PB), Brushed Bronze (BRB), Gun Metal (GM) and White (WH). All are special order items, please allow 8 weeks

PREMIUM COLLECTION

# ultimate10

## Off panel 3 sided shower enclosures

---

Do you want a real statement piece, a show-stopping shower enclosure but you don't want to have it tucked away in a corner? Then a three sided, luxurious, enclosure is perfect for you. The ultimate10mm enclosure door's unique design means that it can be hung so that it pivots directly from a glass panel, meaning that it can be used to create the three sided enclosure of your dreams.



Scan The QR Code  
To See The Configurations Guide

Brushed gold pivot off panel 3 sided enclosure with 2m fixing kit





## Features

- + 10mm toughened safety glass
- + 1985mm tall (inc. fixings)
- + Award winning in/out hinge mechanism
- + Frameless design
- + Available in 9 colour finishes
- + Made in Britain
- + Lifetime guarantee
- + Integrated towel rail
- + Compatible with ultimate 10mm wet-room panels
- + Lifeshield Protection for easy cleaning
- + Can be installed either left or right handed

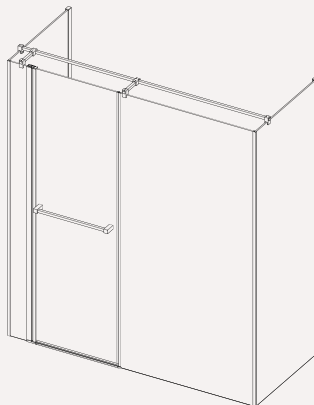
## A truly modular system

As with ultimate wet room panels and ultimate10 over bath screens, the ultimate10 range of enclosures is truly modular and allows you to create the enclosure that is perfect for your bathroom.



Brushed brass parallel fixing kit

## Recommended Configurations



3 sided configuration (600mm Door)

## Door Options

Door Sizes	Chrome Product Code	Matt Black Product Code	Brushed Brass Product Code
600mm Off Panel Pivot Door	10PVPR	10PVPRMBK	10PVPRBRG

## Glass Panel Options

*Panel Sizes	Product Code	*Panel Sizes	Product Code
200mm Glass Panel	10WP200	800mm Glass Panel	10WP800
300mm Glass Panel	10WP300	900mm Glass Panel	10WP900
400mm Glass Panel	10WP400	1000mm Glass Panel	10WP1000
500mm Glass Panel	10WP500	1100mm Glass Panel	10WP1100
600mm Glass Panel	10WP600	1200mm Glass Panel	10WP1200
700mm Glass Panel	10WP700	1400mm Glass Panel	10WP1400
760mm Glass Panel	10WP760		

\*Sizes shown are nominal. All panels are undersized by 45mm to allow for tiling when fitting to shower trays.

## \*\*Stabilising Bars & Wall Posts

Products	Chrome Product Code	Matt Black Product Code	Brushed Brass Product Code
Front panel fixing kit (1000mm)	10WPFPFK	10WPFPFKMBK	10WPFPFKBRG
Front panel fixing kit (1500mm)	10WPFPFK150	10WPFPFK150MBK	10WPFPFK150BRG
Side panel fixing kit	10WPSPFK	10WPSPFKMBK	10WPSPFKBRG
Fixing Kit (2000mm)	10PVCFK	10PVCFKMBK	10PVCFKBRG
Wall post	10WPK	10WPKMBK	10WPKBRG

\*\*Please add the following codes to your product code when ordering a colour option:

Brushed Nickel (BRN), Polished Gold (PG), Polished Bronze (PB), Brushed Bronze (BRB), Gun Metal (GM) and White (WH). All are special order items, please allow 8 weeks

PREMIUM COLLECTION

ultimate<sup>10</sup>

## Colour finishes

For maximum stability we recommend using our fixing kits, available in 3 lengths (2000mm, 1500mm and 1000mm) these kits can be used as illustrated below to ensure the stability of your enclosure.

All of our fixing kits are trimmable meaning that they can be tailored to fit your chosen enclosure.

## Colour Finishes



Please add the following codes to your product code when ordering a colour option:

Matt Black (**MBK**), Brushed Brass (**BRG**), \*Brushed Nickel (**BRN**), \*Polished Gold (**PG**), \*Polished Bronze (**PB**), \*Brushed Bronze (**BRB**), \*Gun Metal (**GM**) and \*White (**WH**).

\*All are special order items, please allow 8 weeks



Scan The QR Code  
To See The Configurations Guide

## Fixing Kits



Wall to glass fixing kit



Angled fixing kit



Parallel fixing kit

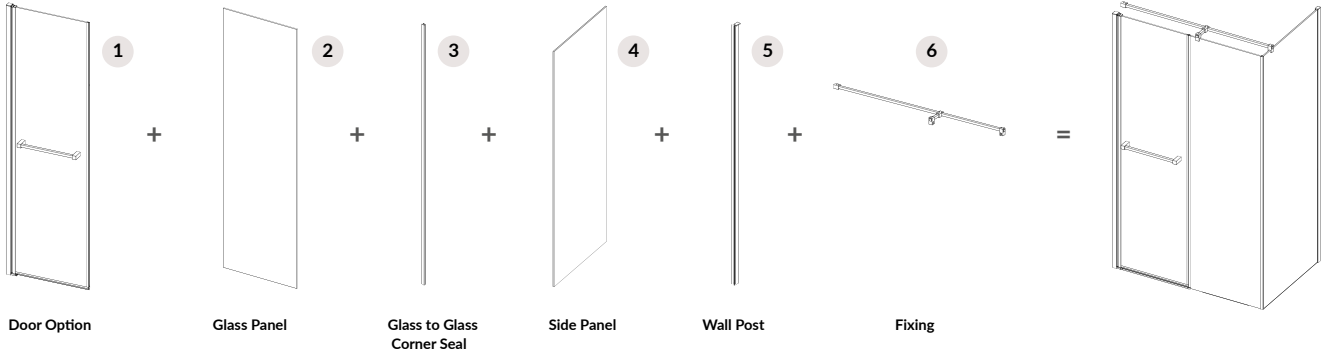
PREMIUM COLLECTION

ultimate**10**

---

Configurations Guides

## Corner Off Wall Enclosures (600mm Door)



Product Codes & Descriptions		Ultimate Enclosure Sizes											
		800mm	900mm	1000mm	1100mm	1200mm	1300mm	1400mm	1500mm	1600mm	1700mm	1800mm	2000mm
<b>*Product Code</b>	<b>Door Options</b>												
10PVVW	**600mm Off Wall Pivot Door	X1	X1	X1	X1	X1	X1	X1	X1	X1	X1	X1	X1
<b>Product Code</b>	<b>Glass Panel Sizes</b>												
10WP200	200mm Glass Panel	X1											
10WP300	300mm Glass Panel		X1										
10WP400	400mm Glass Panel			X1									
10WP500	500mm Glass Panel				X1								
10WP600	600mm Glass Panel					X1							
10WP700	700mm Glass Panel						X1						
10WP760	760mm Glass Panel												
10WP800	800mm Glass Panel							X1					
10WP900	900mm Glass Panel								X1				
10WP1000	1000mm Glass Panel									X1			
10WP1100	1100mm Glass Panel										X1		
10WP1200	1200mm Glass Panel											X1	
10WP1400	1400mm Glass Panel												X1
<b>*Product Code</b>	<b>Fixings</b>												
10WPFPFK	Front panel fixing kit (1000mm)	X1	X1	X1									
10WPFPFK150	Front panel fixing kit (1500mm)				X1	X1	X1	X1	X1				
10WPSPFK	Side panel fixing kit	X1	X1	X1	X1	X1	X1	X1	X1				
10WPGW30	Angled stabilising bar (300mm)												
10WPGW50	Angled stabilising bar (500mm)												
10PVCFK	Fixing Kit (2000mm)									X1	X1	X1	X1
10WPCS	Glass to Glass Corner Seal	X1	X1	X1	X1	X1	X1	X1	X1	X1	X1	X1	X1
10WPK	Wall Post	X1	X1	X1	X1	X1	X1	X1	X1	X1	X1	X1	X1

### Side Panels

x1 Side Panel Required

Product Code	Side Panel
10WP700	700mm Side Panel
10WP760	760mm Side Panel
10WP800	800mm Side Panel
10WP900	900mm Side Panel
10WP1000	1000mm Side Panel
10WP1100	1100mm Side Panel
10WP1200	1200mm Side Panel

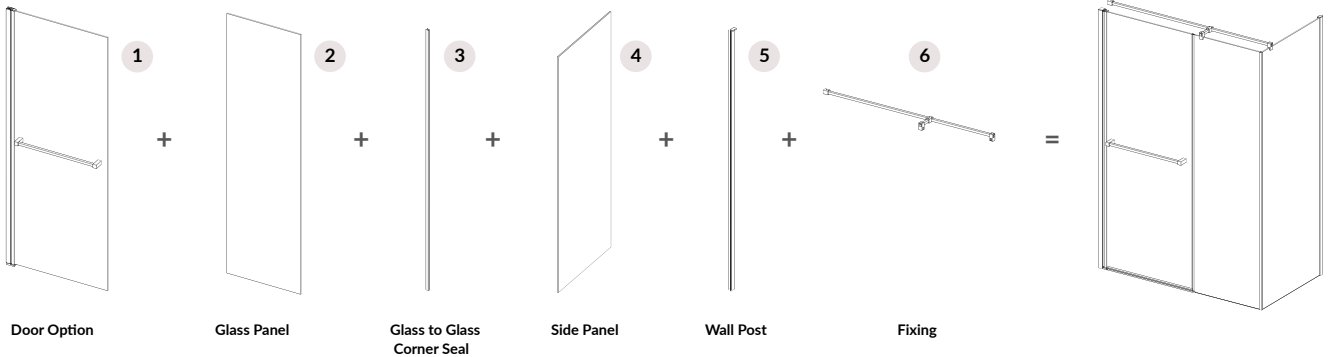
\*Please add the following codes to your product code when ordering a colour option:

Brushed Nickel (BRN), Polished Gold (PG), Polished Bronze (PB), Brushed Bronze (BRB), Gun Metal (GM) and White (WH).

All are special order items, please allow 8 weeks

\*\*Slimline wall post Included In the door pack

# Corner Off Wall Enclosures (800mm Door)



Product Codes & Descriptions		Ultimate Enclosure Sizes											
		1000mm	1100mm	1200mm	1300mm	1400mm	1500mm	1600mm	1700mm	1800mm	1900mm	2000mm	
<b>*Product Code</b>	<b>Door Options</b>												
10PVW2	**800mm Off Wall Pivot Door	X1	X1	X1	X1	X1	X1	X1	X1	X1	X1	X1	
<b>Product Code</b>	<b>Glass Panel Sizes</b>												
10WP200	200mm Glass Panel	X1											
10WP300	300mm Glass Panel		X1										
10WP400	400mm Glass Panel			X1									
10WP500	500mm Glass Panel				X1								
10WP600	600mm Glass Panel					X1							
10WP700	700mm Glass Panel						X1						
10WP760	760mm Glass Panel							X1					
10WP800	800mm Glass Panel								X1				
10WP900	900mm Glass Panel									X1			
10WP1000	1000mm Glass Panel										X1		
10WP1100	1100mm Glass Panel											X1	
10WP1200	1200mm Glass Panel												X1
10WP1400	1400mm Glass Panel												
<b>*Product Code</b>	<b>Fixings</b>												
10WPFPFK	Front panel fixing kit (1000mm)	X1											
10WPFPFK150	Front panel fixing kit (1500mm)		X1	X1	X1	X1	X1						
10WPSPFK	Side panel fixing kit	X1	X1	X1	X1	X1	X1						
10WPGW30	Angled stabilising bar (300mm)												
10WPGW50	Angled stabilising bar (500mm)												
10PVCFK	Fixing Kit (2000mm)							X1	X1	X1	X1	X1	
10WPCS	Glass to Glass Corner Seal	X1	X1	X1	X1	X1	X1	X1	X1	X1	X1	X1	
10WPK	Wall Post	X1	X1	X1	X1	X1	X1	X1	X1	X1	X1	X1	

## Side Panels

### x1 Side Panel Required

Product Code	Side Panel
10WP700	700mm Side Panel
10WP760	760mm Side Panel
10WP800	800mm Side Panel
10WP900	900mm Side Panel
10WP1000	1000mm Side Panel
10WP1100	1100mm Side Panel
10WP1200	1200mm Side Panel

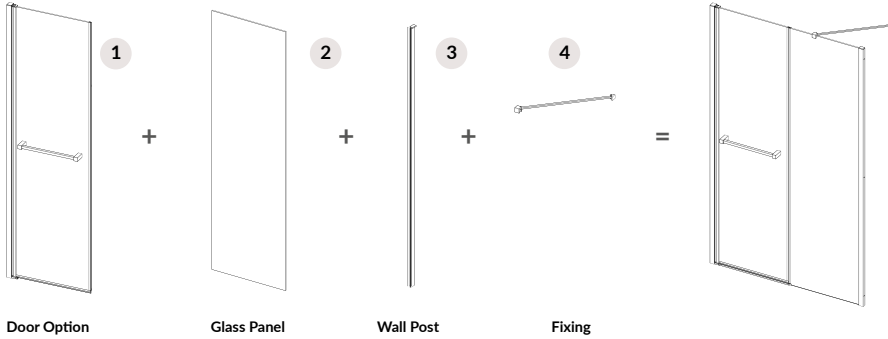
\*Please add the following codes to your product code when ordering a colour option:

Brushed Nickel (BRN), Polished Gold (PG), Polished Bronze (PB), Brushed Bronze (BRB), Gun Metal (GM) and White (WH).

All are special order items, please allow 8 weeks

\*\*Slimline wall post Included In the door pack

## Recess Off Wall Enclosure (600mm Door)



Product Codes & Descriptions		Ultimate Enclosure Sizes											
		800mm	900mm	1000mm	1100mm	1200mm	1300mm	1400mm	1500mm	1600mm	1700mm	1800mm	2000mm
<b>Product Code</b>	<b>Door Options</b>												
10PVWR	**600mm Off Wall Pivot Door	X1	X1	X1	X1	X1	X1	X1	X1	X1	X1	X1	X1
<b>Product Code</b>	<b>Glass Panel Sizes</b>												
10WP200	200mm Glass Panel	X1											
10WP300	300mm Glass Panel		X1										
10WP400	400mm Glass Panel			X1									
10WP500	500mm Glass Panel				X1								
10WP600	600mm Glass Panel					X1							
10WP700	700mm Glass Panel						X1						
10WP760	760mm Glass Panel												
10WP800	800mm Glass Panel							X1					
10WP900	900mm Glass Panel								X1				
10WP1000	1000mm Glass Panel									X1			
10WP1100	1100mm Glass Panel										X1		
10WP1200	1200mm Glass Panel											X1	
10WP1400	1400mm Glass Panel												X1
<b>Product Code</b>	<b>Fixings</b>												
10WPFPFK	Front panel fixing kit (1000mm)												
10WPFPFK150	Front panel fixing kit (1500mm)												
10WPSPFK	Side panel fixing kit								X1	X1	X1	X1	X1
10WPGW30	Angled stabilising bar (300mm)	X1	X1										
10WPGW50	Angled stabilising bar (500mm)			X1	X1	X1	X1	X1					
10PVCFK	Fixing Kit (2000mm)												
10WPCS	Glass to Glass Corner Seal												
10WPK	Wall Post	X1	X1	X1	X1	X1	X1	X1	X1	X1	X1	X1	X1

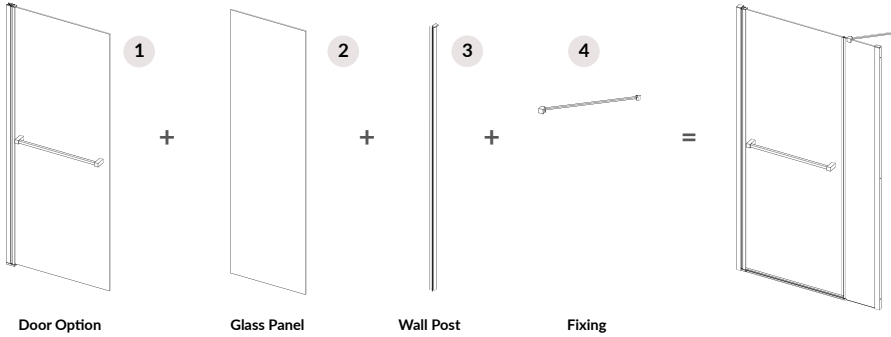
\*Please add the following codes to your product code when ordering a colour option:

Brushed Nickel (BRN), Polished Gold (PG), Polished Bronze (PB), Brushed Bronze (BRB), Gun Metal (GM) and White (WH).

All are special order items, please allow 8 weeks

\*\*Slimline wall post Included In the door pack

# Recess Off Wall Enclosures (800mm Door)



Product Codes & Descriptions		Ultimate Enclosure Sizes											
		1000mm	1100mm	1200mm	1300mm	1400mm	1500mm	1600mm	1700mm	1800mm	1900mm	2000mm	
<b>Product Code</b>	<b>Door Options</b>												
10PVWR2	**800mm Off Wall Pivot Door	X1	X1	X1	X1	X1	X1	X1	X1	X1	X1	X1	X1
<b>Product Code</b>	<b>Glass Panel Sizes</b>												
10WP200	200mm Glass Panel	X1											
10WP300	300mm Glass Panel		X1										
10WP400	400mm Glass Panel			X1									
10WP500	500mm Glass Panel				X1								
10WP600	600mm Glass Panel					X1							
10WP700	700mm Glass Panel						X1						
10WP760	760mm Glass Panel												
10WP800	800mm Glass Panel							X1					
10WP900	900mm Glass Panel								X1				
10WP1000	1000mm Glass Panel									X1			
10WP1100	1100mm Glass Panel										X1		
10WP1200	1200mm Glass Panel											X1	
10WP1400	1400mm Glass Panel												X1
<b>Product Code</b>	<b>Fixings</b>												
10WPFPFK	Front panel fixing kit (1000mm)												
10WPFPFK150	Front panel fixing kit (1500mm)												
10WPSPFK	Side panel fixing kit							X1	X1	X1	X1	X1	
10WPGW30	Angled stabilising bar (300mm)	X1	X1										
10WPGW50	Angled stabilising bar (500mm)			X1	X1	X1	X1						
10PVCFK	Fixing Kit (2000mm)												
10WPCS	Glass to Glass Corner Seal												
10WPK	Wall Post	X1	X1	X1	X1	X1	X1	X1	X1	X1	X1	X1	X1

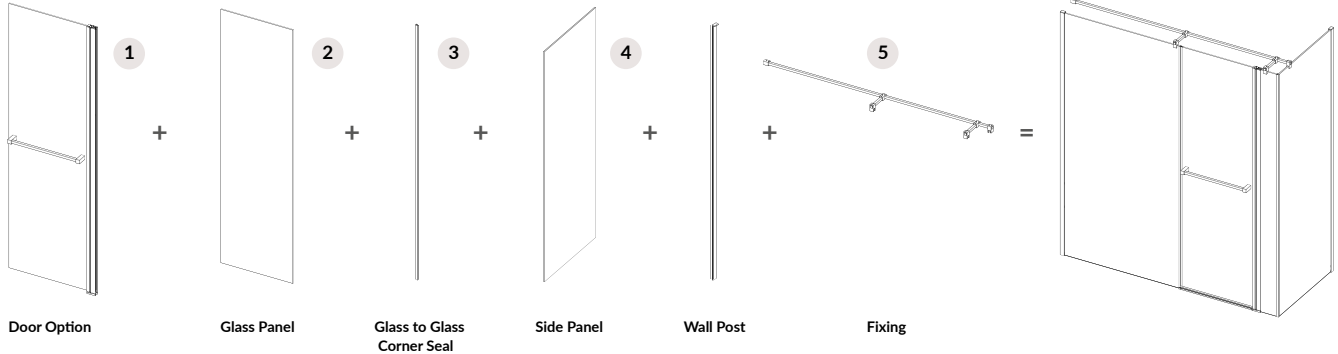
\*Please add the following codes to your product code when ordering a colour option:

Brushed Nickel (BRN), Polished Gold (PG), Polished Bronze (PB), Brushed Bronze (BRB), Gun Metal (GM) and White (WH).

All are special order items, please allow 8 weeks

\*\*Slimline wall post Included In the door pack

## Corner Off Panel Enclosures



Product Codes & Descriptions		Ultimate Enclosure Sizes									
		1000mm	1200mm	1300mm	1400mm	1500mm	1600mm	1700mm	1800mm	1900mm	2000mm
<b>*Product Code</b>	<b>Door Options</b>										
10PVP	**600mm Off Panel Pivot Door	X1	X1	X1	X1	X1	X1	X1	X1	X1	X1
<b>Product Code</b>	<b>Glass Panel Sizes</b>										
10WP200	200mm Glass Panel	X2	X1	X1	X1	X1	X1	X1	X1	X1	X1
10WP300	300mm Glass Panel										
10WP400	400mm Glass Panel		X1								
10WP500	500mm Glass Panel			X1							
10WP600	600mm Glass Panel				X1						
10WP700	700mm Glass Panel					X1					
10WP760	760mm Glass Panel										
10WP800	800mm Glass Panel						X1				
10WP900	900mm Glass Panel							X1			
10WP1000	1000mm Glass Panel								X1		
10WP1100	1100mm Glass Panel									X1	
10WP1200	1200mm Glass Panel										X1
10WP1400	1400mm Glass Panel										
<b>*Product Code</b>	<b>Fixings</b>										
10WPFPFK	Front panel fixing kit (1000mm)										
10WPFPFK150	Front panel fixing kit (1500mm)										
10WPSPFK	Side panel fixing kit										
10WPGW30	Angled stabilising bar (300mm)										
10WPGW50	Angled stabilising bar (500mm)										
10PVCFK	Fixing Kit (2000mm)	X1	X1	X1	X1	X1	X1	X1	X1	X1	X1
10WPCS	Glass to Glass Corner Seal	X1	X1	X1	X1	X1	X1	X1	X1	X1	X1
10WPK	Wall Post	X1	X1	X1	X1	X1	X1	X1	X1	X1	X1

### Side Panels

x1 Side Panel Required

Product Code	Side Panel
10WP700	700mm Side Panel
10WP760	760mm Side Panel
10WP800	800mm Side Panel
10WP900	900mm Side Panel
10WP1000	1000mm Side Panel
10WP1100	1100mm Side Panel
10WP1200	1200mm Side Panel

\*Please add the following codes to your product code when ordering a colour option:

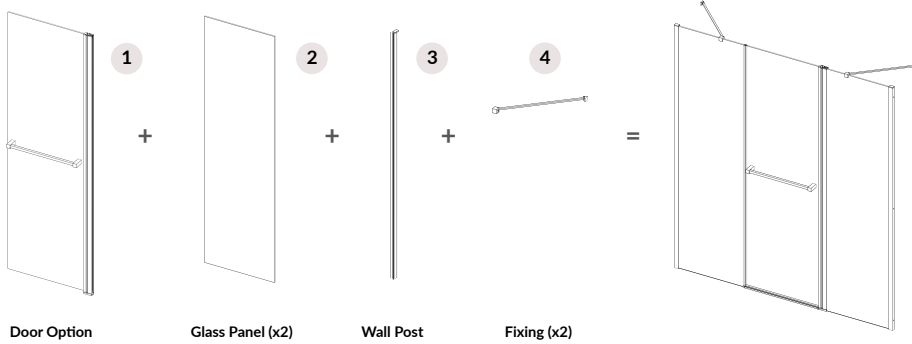
Brushed Nickel (BRN), Polished Gold (PG), Polished Bronze (PB), Brushed Bronze (BRB), Gun Metal (GM) and White (WH).

All are special order items, please allow 8 weeks

\*\*Slimline wall post Included In the door pack



# Recess Off Panel Enclosures



Product Codes & Descriptions		Ultimate Enclosure Sizes					
		1000mm	1200mm	1400mm	1600mm	1800mm	2000mm
<b>*Product Code</b>	<b>Door Options</b>						
10PVPR	**600mm Off Panel Pivot Door	X1	X1	X1	X1	X1	X1
<b>Product Code</b>	<b>Glass Panel Sizes</b>						
10WP200	200mm Glass Panel	X2					
10WP300	300mm Glass Panel		X2				
10WP400	400mm Glass Panel			X2			
10WP500	500mm Glass Panel				X2		
10WP600	600mm Glass Panel					X2	
10WP700	700mm Glass Panel						X2
10WP760	760mm Glass Panel						
10WP800	800mm Glass Panel						
10WP900	900mm Glass Panel						
10WP1000	1000mm Glass Panel						
10WP1100	1100mm Glass Panel						
10WP1200	1200mm Glass Panel						
10WP1400	1400mm Glass Panel						
<b>*Product Code</b>	<b>Fixings</b>						
10WPFPFK	Front panel fixing kit (1000mm)						
10WPFPFK150	Front panel fixing kit (1500mm)						
10WPSPFK	Side panel fixing kit						
10WPGW30	Angled stabilising bar (300mm)	X2					
10WPGW50	Angled stabilising bar (500mm)		X2	X2	X2	X2	X2
10PVCFK	Fixing Kit (2000mm)						
10WPCS	Glass to Glass Corner Seal						
10WPK	Wall Post	X1	X1	X1	X1	X1	X1

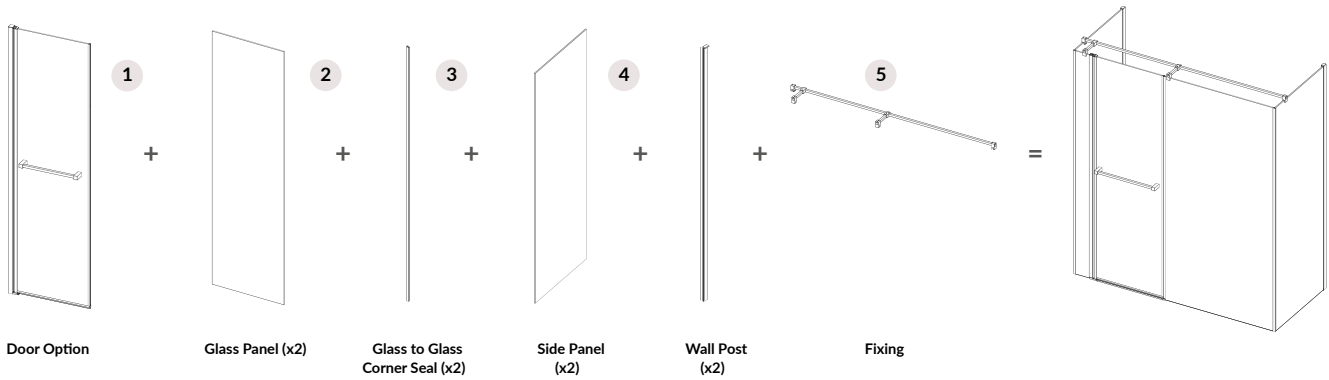
\*Please add the following codes to your product code when ordering a colour option:

Brushed Nickel (**BRN**), Polished Gold (**PG**),  
Polished Bronze (**PB**), Brushed Bronze (**BRB**),  
Gun Metal (**GM**) and White (**WH**).

All are special order items, please allow 8 weeks

\*\*Slimline wall post Included In the door pack

## 3 Sided Enclosures



Product Codes & Descriptions		Ultimate Enclosure Sizes									
		1000mm	1200mm	1300mm	1400mm	1500mm	1600mm	1700mm	1800mm	1900mm	2000mm
<b>*Product Code</b>	<b>Door Options</b>										
10PVP	**600mm Off Panel Pivot Door	X1	X1	X1	X1	X1	X1	X1	X1	X1	X1
<b>Product Code</b>	<b>Glass Panel Sizes</b>										
10WP200	200mm Glass Panel	X2	X1	X1	X1	X1	X1	X1	X1	X1	X1
10WP300	300mm Glass Panel										
10WP400	400mm Glass Panel		X1								
10WP500	500mm Glass Panel			X1							
10WP600	600mm Glass Panel				X1						
10WP700	700mm Glass Panel					X1					
10WP760	760mm Glass Panel										
10WP800	800mm Glass Panel						X1				
10WP900	900mm Glass Panel							X1			
10WP1000	1000mm Glass Panel								X1		
10WP1100	1100mm Glass Panel									X1	
10WP1200	1200mm Glass Panel										X1
10WP1400	1400mm Glass Panel										
<b>*Product Code</b>	<b>Fixings</b>										
10WPFPFK	Front panel fixing kit (1000mm)										
10WPFPFK150	Front panel fixing kit (1500mm)										
10WPSPFK	Side panel fixing kit										
10WPGW30	Angled stabilising bar (300mm)										
10WPGW50	Angled stabilising bar (500mm)										
10PVCFK	Fixing Kit (2000mm)	X1	X1	X1	X1	X1	X1	X1	X1	X1	X1
10WPCS	Glass to Glass Corner Seal	X2	X2	X2	X2	X2	X2	X2	X2	X2	X2
10WPK	Wall Post	X2	X2	X2	X2	X2	X2	X2	X2	X2	X2

### Side Panels

#### x2 Side Panel Required

Product Code	Side Panel
10WP700	700mm Side Panel
10WP760	760mm Side Panel
10WP800	800mm Side Panel
10WP900	900mm Side Panel
10WP1000	1000mm Side Panel
10WP1100	1100mm Side Panel
10WP1200	1200mm Side Panel

\*Please add the following codes to your product code when ordering a colour option:

Brushed Nickel (BRN), Polished Gold (PG), Polished Bronze (PB), Brushed Bronze (BRB), Gun Metal (GM) and White (WH).

All are special order items, please allow 8 weeks

\*\*Slimline wall post Included In the door pack



**Kudos Shower Products Ltd**

Elmsfield Park, Holme

Cumbria LA6 1RJ

United Kingdom

Telephone: +44 (0)1539 564040

Fax: +44 (0)1539 564141

Email: [sales@kudosshowers.co.uk](mailto:sales@kudosshowers.co.uk)

---

[www.kudosshowers.co.uk](http://www.kudosshowers.co.uk)